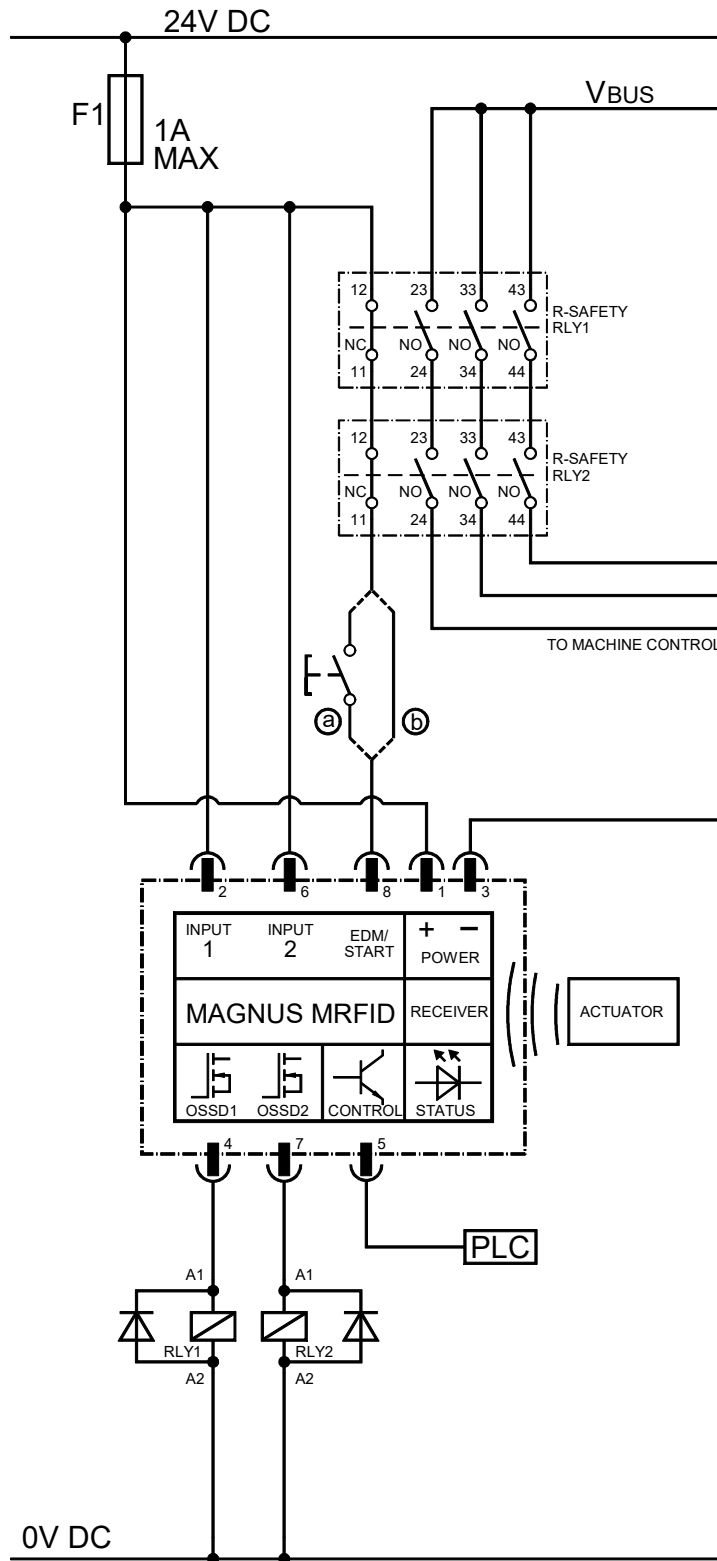


# REER MAGNUS RFID S

## SINGLE UNIT WIRING DIAGRAM



**NOTES**

1. Either may be used to connect EDM/START to the R-SAFETY Relay Output:
  - a) Reset Button
  - b) Automatic Reset Link
2. VBUS may be connected to any voltage within the R-SAFETY and machine control I/O limits.