



AcuRev 1300 Series

Rail-mounted Three Phase Energy Meter



- Comply to IEC62053-22 classes 0.5S Measurement Standard
- Support Multi-rate Features: 4 Rates, Real-time Clock
- Small size, DIN Rail Mounting
- Direct Metering Up 80A



ISO9001 Certified

CARREL-ELECTRADE LIMITED

Auckland Tel: 09-525 1753
Fax: 09-525 1756

Christchurch Tel: 03-366 1242
Fax: 03-379 1991

Email: sales@carrel-electrade.co.nz
Web: www.carrel-electrade.co.nz

DESCRIPTION

AcuRev 1300 series rail-mounted three phase energy Meters has a small size and high accuracy, can access to 80A current directly, it is ideal for use in distributor and tight spaces. The meter is equipped with an easy to read liquid crystal display (LCD) which displays all the important information. It is ideal for building energy management systems, energy monitoring and energy metering systems.

APPLICATIONS

- Commercial Complex/Mall
- Apartment/Condominiums
- Hospitals/Public Services
- Hotels/Office Buildings
- Tenant Submetering/Billing
- Data Centers
- LEED Projects
- Energy Management Systems
- Industrial and Utilities Applications



FEATURES

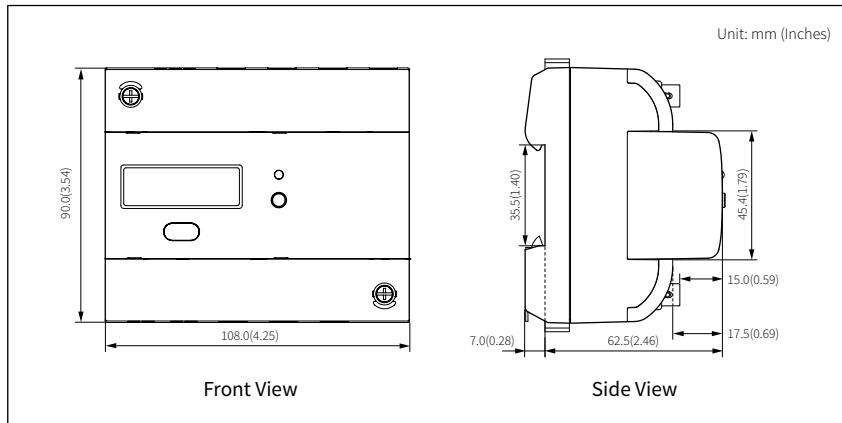
- Comply to IEC62053-22 classes 0.5s Measurement Standard
- Small size, DIN rail mounting
- Direct metering up 80A
- Support active / reactive energy pulse output
- Support multi-rate features: 4 rates, real-time clock
- 7 digits backlit LCD display
- Facilitate communication, RS485 interface, infrared interface; MODBUS-RTU protocol
- Easy to install, easy to meter reading, less set, easy maintenance and replacement (separate base and header design)

FUNCTION LIST

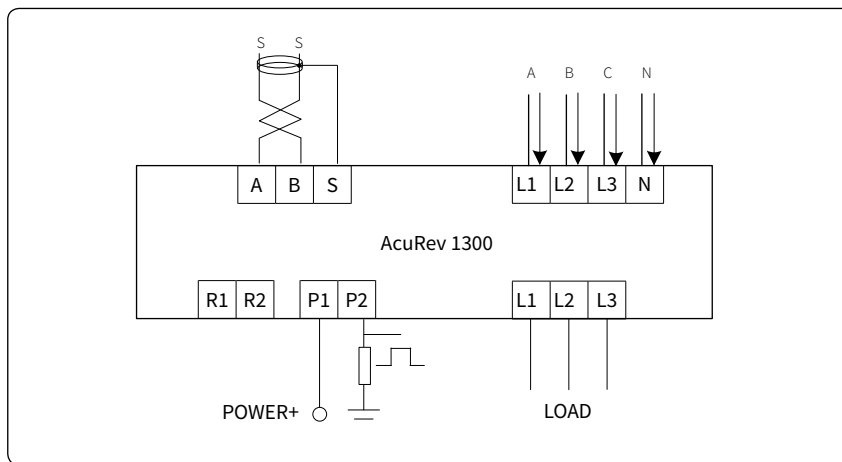
● Fixed Functions ⊙ Optional Functions Blank NA

Function	PARAMETER	AcuRev 1301	AcuRev 1302	AcuRev 1303
ENERGY	Energy	●	●	●
	Reactive Energy			●
	Apparent Energy			●
TOU	4 Tariffs			●
POWER DEMAND	Power Demand			●
	Peak Power Demand			●
CURRENT DEMAND	Current Demand			●
	Peak Current Demand			●
REAL TIME METERING	Phase Voltage		●	●
	Current		●	●
	Power		●	●
	Reactive Power			●
	Apparent Power			●
	Power Factor			●
	Frequency		●	●
TIME	Year, Month, Date, Hour, Minute, Second			●
RO FUNCTION	Relay Output		⊙	⊙
EVENT	Event log			●
COMMUNICATION PORT	Non-contact infrared	●	●	●
	RS-485		●	●
COMMUNICATION PROTOCOL	Modbus-RTU		●	●
ENERGY PULSE OUTPUT	kWh/kvarh Output	●	●	●
DISPLAY	LCD Display	●	●	●

DIMENSIONS



TYPICAL WIRING



SPECIFICATION

Parameter	Accuracy	Resolution	Range
Active Energy	0.5%	0.1kWh	0-999999.9
Reactive Energy	0.5%	0.1kvarh	0-999999.9
Apparent Energy	0.5%	0.1kVAh	0-999999.9
Voltage	0.5%	0.1V	175.0V-265.0KV
Current	0.5%	0.001A	100mA-80A
Active Power	0.5%	0.1W	-80-80kW
Reactive Power	0.5%	0.1var	-80-80kvar
Apparent Power	0.5%	0.1VA	-80-80kVA
Power Factor	0.5%	0.001	-1.000-1.000
Frequency	0.2%	0.01Hz	50/60
Active Power Demand	0.5%	0.1W/var/VA	80kW/kvar/kVA
Current Demand	0.5%	0.001A	80A

Voltage	
Reference Voltage	220V L-N, 380Vac L-L
Operation Voltage Range	80% - 120%Vn
Operation Frequency	50/60Hz

Current Input	
Reference Current In	10A
Maximum Current	80A
Starting Current	0.001In

Power (Taken from the voltage loop)	
Supply Voltage	Taken from the voltage loop
Burden	<2W or 10VA

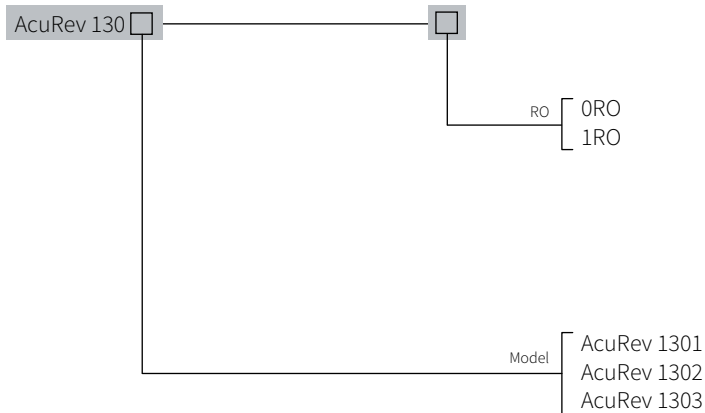
Pulse Output	
Isolation Voltage	2500Vac
External loop voltage	5-30V
Maximum Current	10mA
Pulse Width (high)	100ms
Pulse Constant	200imp/kWh

Relay Output	
Load Voltage	250Vac 30Vdc
Max Load Current	5A(Resistant Load)
Isolation Voltage	2000Vac(1min)
Action Time	10ms
Mechanical Life	20 million times
Electrical Life	Above 50,000 Times (5A, 250Vac, Resistant Load)

Communication	
RS485 interface rate	1200~34800bps
Communication Protocol	ModBus-RTU
IR interface	Non-contact Far-infrared
IR rate	1200bps

Environment	
Working Temperature	-25~70°C
Storage Temperature	-40~85°C
Humidity	The annual average humidity of 85%, a year can have 30 to 95%

ORDERING INFORMATION



CARREL-ELECTRADE LIMITED

Auckland Tel: 09-525 1753
Fax: 09-525 1756

Christchurch Tel: 03-366 1242
Fax: 03-379 1991

Email: sales@carrel-electrade.co.nz
Web: www.carrel-electrade.co.nz