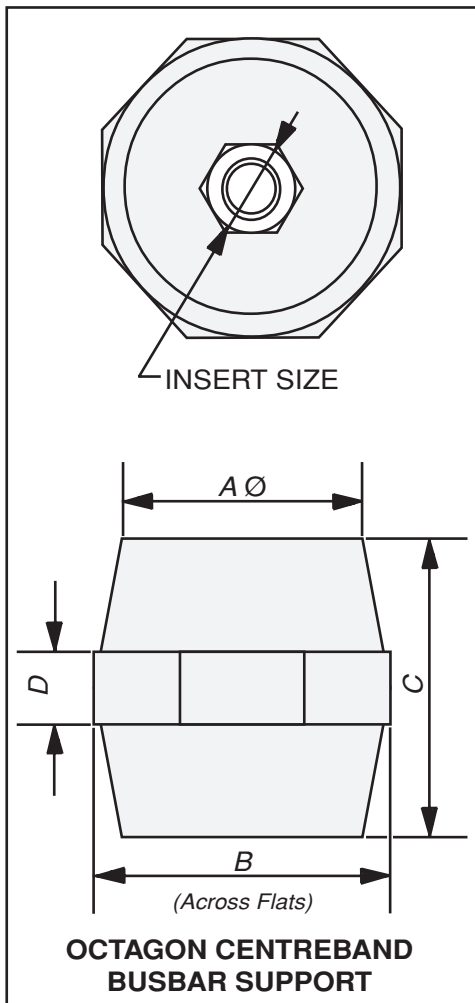


BUSBAR SUPPORTS



Crompton Greaves manufactures a range of busbar supports with octagonal centreband to compliment their range of switchboard and control panel accessories.

These insulators are moulded from high electrical grade, red Polyester Reinforced Resins (DMC), fitted with brass inserts and are offered at very competitive prices with no compromise of quality.



TECHNICAL SPECIFICATIONS

Properties	Unit	Test Method	Value
			DMC
PHYSICAL			
1	Specific Gravity	g/cc	1.80
2	Glass Content	%	20
3	Water Absorption	%	0.20
MECHANICAL			
1	Tensile Strength	kg/cm ²	BS 2782 1200
2	Flexural/Cross Breaking Strength	kg/cm ²	BS 2782 550
3	Compressive Strength	kg/cm ²	BS 2782 1450
4	Impact Strength - Izod	kgcm/cm ²	BS 2782 35
ELECTRICAL			
1	Dielectric Strength	kV/mm	BS 2782 13
2	Tracking Index	Volts	BS 5901 1000
3	Arc Resistance	Secs	BS 2782 220
4	Heat Distortion	°C	DIN 53458 150
5	Flammability		ASTM D495 SE

DIMENSIONAL DETAILS

OCTAGON CENTREBAND BUSBAR SUPPORTS					
PART NO.	Ø A	B	C	D	INSERT
IO 30 EN	25	32	30	8	M6
IO 35 EN	25	32	35	9	M6
IO 35 FN	25	32	35	9	M8
IO 38 GN	35	40	38	10	M10
IO 40 EN	35	40	40	10	M6
IO 40 FN	35	40	40	10	M8
IO 50 FN	31	41	50	10	M8
IO 50 GN	31	41	50	10	M10
IO 50 HN	31	41	50	10	M12
IO 60 GN	40	55	60	11	M10
IO 60 HN	40	55	60	11	M12