

# Multigates

LLOYD'S  
UL 94 V-0

Up to

**IP66/67**

**EMC**

alternatives available

UL 94 V-0 flame resistant options available

**Excellent IP protection**

when **cables** are **bent**

Lloyd's approved alternatives for  
marine applications available

Made in

**Finland**





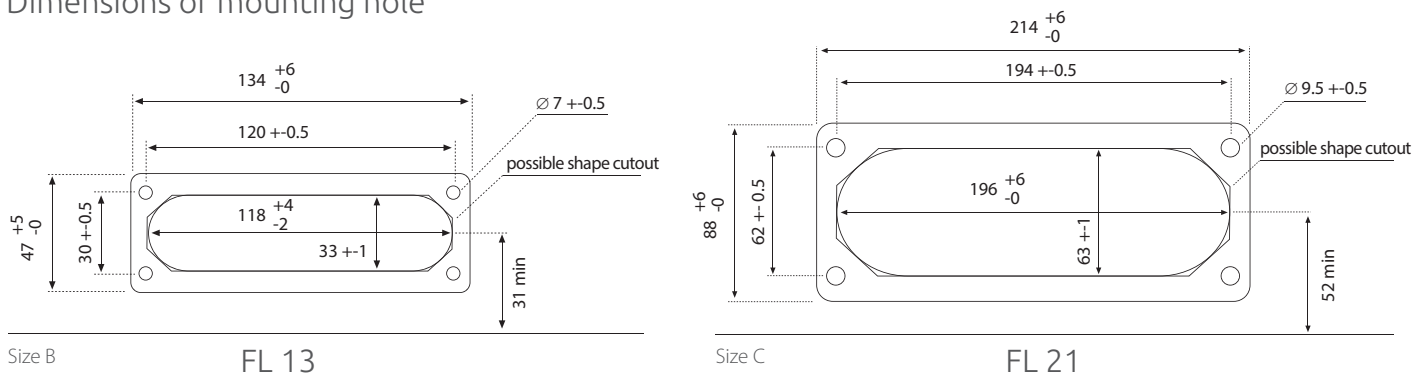
Multigates are metal or plastic reinforced cable gland plates for leading through low and medium power current cables, but also various types of tubing. The products fit directly to B- or C-standard cut-outs (FL 13 or FL 21). It is not necessary to use any separate glands or seals by using of these multigates. Their use is therefore easy and provides innumerable advantages in a single assembly unit.

Multigates are made of various types of polymers. All of these polymers are RoHS approved (Restriction of hazardous substances in electrical and electronic equipment) and have excellent weather, UV- and ozone resistance. A fundamental chemical resistance is also guaranteed, and partly as protection against splash oil.

EMC-compatible, oil resistant, material in flammability V-0 according to UL 94 and halogen-free models are available.

The temperature range is -40 °C to +100 °C and multigates are designed for indoor and outdoor application.

## Dimensions of mounting hole



## Installation of a multigate



Push the Multigate into a standard hole.



Push either the plastic pins or metal bolts through the Multigate and the wall of the box.



Drive the core with a hammer to lock the pin in place.



Make a small hole into the membrane using a screwdriver or cut the top of the cone using side cutters.



Push the cable or tube through the guide hole.



Pull the cable or tube back some 20 mm to lock it.



**MC 3/7 (IP66/67)**



**MC 25/27 (IP66/67)**



**MC 35/37 (IP66/67)**

Light Grey RAL 7035	●	MBA1F07L11	MBA1F27L11	MBA1F37L11
Light Grey RAL 7035 UL 94 V-0 approved	●	MBA1N07X11	MBA1N27X11	MBA1N37X11
Black UL 94 V-0 approved	●	MBA1N07B11	MBA1N27B11	MBA1N37B11

<b>Technical data</b>				
Service temperature		-40 - + 100° C	-40 - + 100° C	-40 - + 100° C
Dimension (mm)		222 x 92	222 x 92	222 x 92
Number of cables (pcs) x cable diameter (mm)		4 x 8 ÷ 16 2 x 24 ÷ 54 1 x 30 ÷ 60 - -	4 x 5 ÷ 7 4 x 8 ÷ 12 13 x 10 ÷ 14 4 x 14 ÷ 20 2 x 20 ÷ 26	4 x 6 ÷ 10 14 x 8 ÷ 12 16 x 10 ÷ 14 2 x 12 ÷ 18 1 x 17 ÷ 32
Total number of cables		7	27	37
Mounting hole size		C - FL 21	C - FL 21	C - FL 21
Weight (g)		206	229	233
Package (pcs)		60	60	60

**MC multigates (IP65)**



**MC 3**



**MC 25 (IP65)**



**MC 35 (IP65)**

Light Grey RAL 7035	●	MBA1F03L11	MBA1F25L11	MBA1F35L11
Black	●	MBA1N03A11	MBA1N25A11	MBA1N35A11
Black, V-0, oil-resistant	●	MBA1N03B11	MBA1N25B11	MBA1N35B11
Black, EMC tested	●	-	MBA1T25B11	MBA1T35B11

<b>Technical data</b>				
Service temperature		-40 - + 100° C	-40 - + 100° C	-40 - + 100° C
Dimension (mm)		214 x 82	216 x 84	216 x 84
Number of cables (pcs) x cable diameter (mm)		4 x 8 ÷ 12 (IP54) 2 x 24 ÷ 54 (IP65) 1 x 30 ÷ 60 (IP65) - -	4 x 5 ÷ 7 4 x 8 ÷ 12 12 x 10 ÷ 14 4 x 14 ÷ 20 1 x 20 ÷ 26	2 x 6 ÷ 10 14 x 7 ÷ 12 16 x 10 ÷ 14 2 x 12 ÷ 18 1 x 17 ÷ 32
Total number of cables		7	25	35
Mounting hole size		C - FL 21	C - FL 21	C - FL 21
Weight (g)		199	230	220
Package (pcs)		100	100	100



LMC 14 (IP54)

LMC 25 (IP54)

LMC 51 (IP54)

LMC 35 (IP44)

Light Grey RAL 7035	●	MBA3F14L11	MBA3F25L11	MBA3F51L11	MBA3F35L11
Light Grey RAL 7035 UL 94 V-0 approved	●	MBA3N14X11	MBA3N25X11	MBA3N51X11	-

### Technical data

Service temperature	-40 - + 100° C	-40 - + 100° C	-40 - + 100° C	-40 - + 100° C
Dimension (mm)	222 x 92	222 x 92	222 x 92	216 x 84
Number of cables (pcs) x cable diameter (mm)	5 x 10 ÷ 14 4 x 14 ÷ 18 3 x 14 ÷ 22 2 x 24 ÷ 54 -	2 x 3,5 ÷ 11 5 x 10 ÷ 14 12 x 14 ÷ 18 5 x 14 ÷ 22 1 x 14 ÷ 35	50 x 7 ÷ 13 1 x 15 ÷ 25 - - -	1 x 15 ÷ 32 2 x 12 ÷ 18 16 x 10 ÷ 14 14 x 7 ÷ 12 2 x 6 ÷ 10
Total number of cables	14	25	51	35
Mounting hole size	C - FL 21	C - FL 21	C - FL 21	C - FL 21
Weight (g)	199	201	205	220
Package (pcs)	100	100	100	100

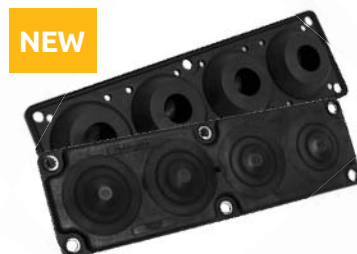
# MC multigates (IP54/55, IP65)



MC 10 (IP55)



MC 16 (IP54)



MC 4 (IP65)

Light Grey, RAL 7035	●	-	MBA1F16L11	-
Light Grey, RAL 7035 UL 94 V-0 approved	●	MBA1N10X11	-	-
Black, UL 94 V-0 approved	●	-	-	MBA1F04B11

### Technical data

Service temperature	-40 - + 100° C	-40 - + 100° C	-40 - + 100° C
Dimension (mm)	216 x 84	216 x 84	300 x 88
Number of cables (pcs) x cable diameter (mm)	2 x 7 ÷ 12 8 x 10 ÷ 30	15 x 10 ÷ 20 1 x 10 ÷ 30	4 x 30 ÷ 63 mm
Total number of cables	10	16	4
Mounting hole size	C - FL 21	C - FL 21	-
Weight (g)	200	120	258
Package (pcs)	100	100	50

## Reversible multigate MC 16

MC 16 Reversible multigate can be used by two different ways. When the multigate is used "facade" up, it works as a regular IP54 enclosure cable gland plate. When the multigate is used reversed it functions as a piping grommet in dry space switchboards. Pipes lock securely to the seal in the gland plate by the friction of the elastic material.



**MB 5/11 (IP66/67)\***

**MB 4/10 (IP55)\***

**MB 4 (IP54)\***

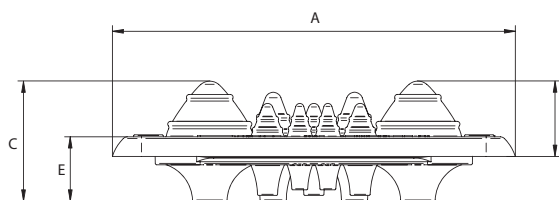
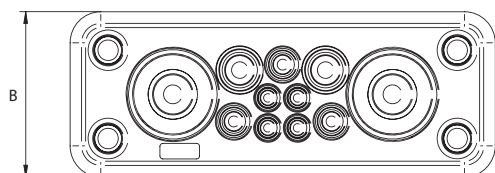
Light Grey RAL 7035	●	MBA2N11L11	-	-
Light Grey RAL 7035 UL 94 V-0 approved	●	MBA2N11X11	MBA2N10W11	-
White UL 94 V-0 approved	○	-	-	MBA2N04W11

**Technical data**

Service temperature	-40 - + 100° C	-40 - + 100° C	-40 - + 100° C
Dimension (mm)	147 x 57	138 x 48	138 x 48
Number of cables (pcs) x cable diameter (mm)	4 x 5 ÷ 7 3 x 7 ÷ 10 2 x 10 ÷ 14 2 x 15 ÷ 30	4 x 10 ÷ 25 6 x 4 ÷ 9 - -	4 x 10 ÷ 25 - - -
Total number of cables	11	10	4
Mounting hole size	B - FL 13	B - FL 13	B - FL 13
Weight (g)	86	68	68
Package (pcs)	200	200	100

\* for the smaller mounting hole (size B)

**Dimensions of multigates**



Type	Length (A)	Width (B)	Height (C)	Height 1 (D)	Height 2 (E)
<b>IP66/67-series</b>					
MC 3/7	222	92	76	53	33
MC 25/27	222	92	43	30	23
MC 35/37	222	92	43	30	23
MB 5/11	147	57	42	26	23
<b>IP66/67-series</b>					
MC 3	214	82	40	19	27
MC 25	216	84	27	15	21
MC 35	216	84	31	17	22
<b>IP55 / IP54-series</b>					
MC 10	216	84	48	45	12
MC 16	216	84	31	14	22
MB 4	138	48	32	32	7
LMC 14	222	92	52	52	10
LMC 25	222	92	30	30	10
LMC 51	222	92	30	30	10



**SMC 3-13**

**SMC 25-29**

**SMC 33-39**

Light Grey RAL 7035	●	MBA5N13G11	MBA5N29G11	MBA5N39G11
---------------------	---	------------	------------	------------

**Technical data**

Dimension (mm)	214 x 82	214 x 82	214 x 82
Mounting hole size	C - FL 21	C - FL 21	C - FL 21
Weight (g)	55	55	55
Package (pcs)	100	100	100



**SMC 1**

**ISMC**

**DIN 108**

**KWH 1**

Light Grey RAL 7035	●	MBA5N00G11	MBA5N01G11	MLE0108A10	MLE0001A10
---------------------	---	------------	------------	------------	------------

**Technical data**

Dimension (mm)	210 x 80	214 x 82	108 x 50	100 x 40
Mounting hole size	C - FL 21	C - FL 21	45 mm	-
Weight (g)	39	32	12	6
Package (pcs)	150	200	120	100

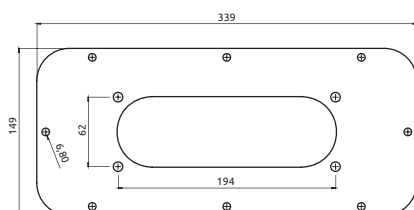
## Flanged plates for rittal AE

Flanged plates for Rittal AE compact enclosures. The flanged plates with Size C (FL 21) cut-outs is designed for compact enclosures of the Rittal AE series. All flanged plates are RAL 7035 powder-coated. Please use the gaskets of the standard plates. Enclosures are supplied with gaskets and screws. We recommend fastening the cable entry systems with a torque of 2.0 Nm.

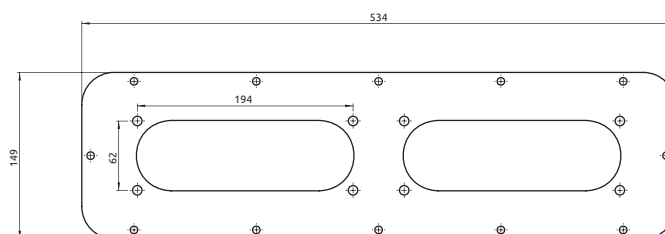


**Type**

MMZ0001A30	Rittal AE size 4: 1xFL21 metal flange
MMZ0002A30	Rittal AE size 5: 2xFL21 metal flange



Rittal AE size 4: 1xFL21



Rittal AE size 5: 2xFL21