

Twin Thermostats

FLZ 541 – FLZ 543



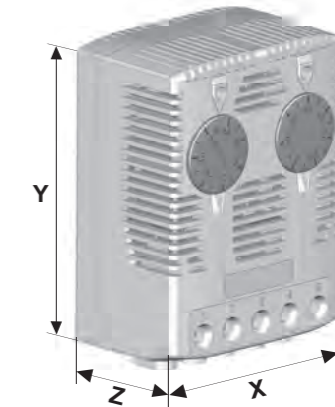
The FLZ series of twin thermostats integrates two independently switchable thermostats. They are available with N.C./N.O.¹, N.C./N.C. and N.O./N.O. contacts. Unlike thermostats with changeover contacts, connected devices can be switched in different temperature ranges.

Data	FLZ 541	FLZ 542	FLZ 543	Unit
Article number	17141000000	17142000000	17143000000	
Type of contact	N.C. / N.O. with spring contact	N.C. / N.C. with spring contact	N.O. / N.O. with spring contact	
Setting range	0 °C (+32 °F) ... +60 °C (+140 °F)			
Switching temperature difference	< 7			K
Switching point tolerance	± 4			
Max. switching power value in brackets: inductive load at cos φ = 0.6	N.C.	240 V AC / 10 (2)		A
	N.O.	120 V AC / 15 (2)		
	DC	max. 30		W
Operating temperature range	- 40 ... + 80 (- 40 ... + 176)			°C (°F)
Storage temperature range	- 40 ... + 80 (- 40 ... + 176)			
Probe type	bimetal			
System of protection	IP 20			
Weight	95			g
Type of connection	screw terminal for cable cross-section 0.5 to 2.5 mm ²			
Suitable for the operation of	fan and heater	heaters	fans	
Type of mounting	snap fastening for 35 mm profile bars according to EN 60715			
Colour	RAL 7035			
Accessories	Piece	Article number		Information on page
Hygrostat	1	17207000000		192
Internal enclosure fan	1	18110000000		71

¹ N.C. = normally closed / N.O. = normally open
Approvals see page 175

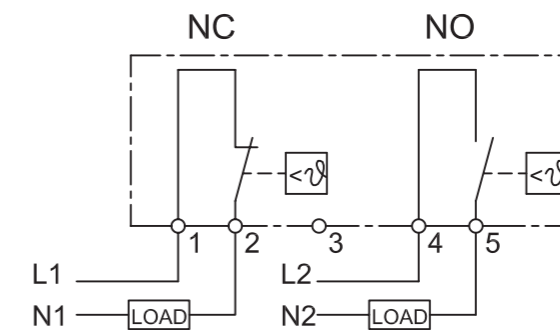
Dimensions

mm	FLZ 541	FLZ 542	FLZ 543
X		59	
Y		80.5	
Z		38	

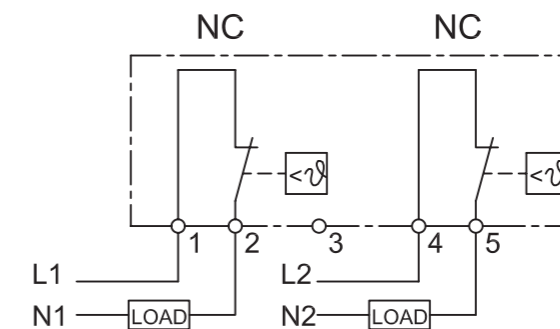


Schematics

FLZ 541



FLZ 542



FLZ 543

