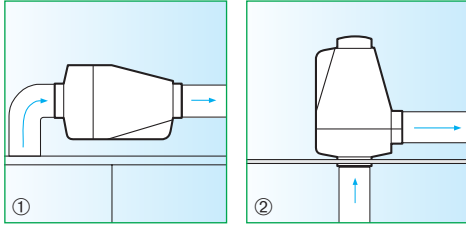


IN-LINE OR CEILING MOUNTED CENTRIFUGAL EXTRACTOR FANS SUITABLE FOR DUCTED INSTALLATION.

AXIAL K AND ANGOL K



- For ventilation of up to two bathrooms or a single utility.
- Two models.
- Induction motor with thermal protection.
- Fan provides high air flow rate combined with pressures suitable for the application, when long ducts are used.
- The Axial K model also has directional flow to eliminate air turbulence.
- Two speeds (Angol K).
- IMQ information label certifies third party product data and performance.
- Special anti-vibration gasket for silent operation.
- Protection grille on the intake port.
- Simplified internal and external maintenance and cleaning.
- Complies with the CEI EN 60335-2-80 standard.

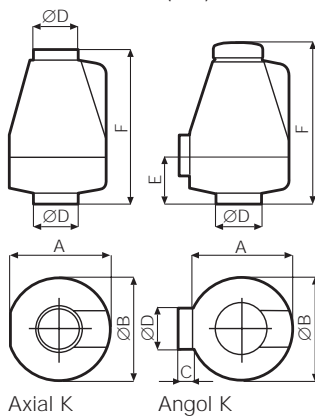
Accessories

(description and data on page 91)

- Fixed grille (code 22010)
- Gravity grille (code 22300-22140).
- Air entry grille (code 22114).
- SCNR (code 12912 * Upon stock depletion) and SCNRB (code 12971) electronic speed controllers.
- Mounting brackets (code 22674).
- Pipe clamps (code 22667).

Wiring diagram shown on page XXVII/XXX.

Dimensions (mm)



Design: F. Trabucco - M. Vecchi

Awards

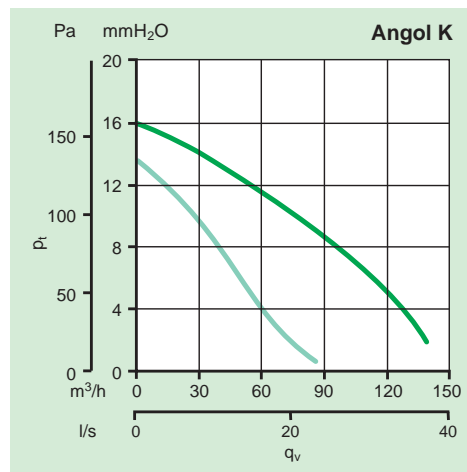
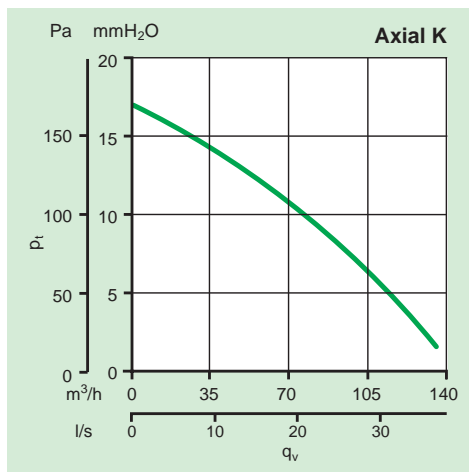
1991 Italian Golden Compass honor award



① Installation of the Axial K.
② Installation of the Angol K.

	A	Ø B	C	Ø D	E	F
Axial K	168	176	-	97	-	270
Angol K	168	176	25	97	93	281

Pressure/performance curves



— max
— min

Product	Code	V ~ 50 Hz	W	A	Rpm	Delivery		P max		Lp dB(A) 3 m**	Approvals	kg	Insulation	°C max
						m³/h	l/s	mm H ₂ O	Pa					
AXIAL K	10904	220-240	35	0.16	2560	135	37.5	17	167	41		1.2	cl.II	40
ANGOL K	10204	220-240	40	0.12/0.2*	1410/2180*	86/ 140*	23.9/ 38.9*	13.5/ 17*	132/ 157*	33/43*		1.27	cl.II	40

* Data refers to both speeds. **Measurement taken in front of the intake port with outlet connected and unobstructed extraction

Conforms with ISO 3744 for noise and pressure levels