

Technical Data Sheet

CODE 11132

MF 120/5" LL

Wall axial fans



IMQ



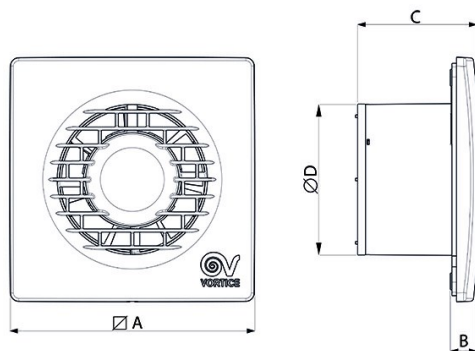
IMQ Performance



TECHNICAL AND PERFORMANCE DATA

Absorbed Current max (A)	0,12	Weight (Kg)	0,62
Absorbed Power max (W)	20	Delivery max (l/s)	49
Frequency (Hz)	50	Delivery max (m ³ /h)	175
Insulation Class	II ²	Pressure max (mmH ₂ O)	5
IP	X4	Pressure max (Pa)	49
Max ambient temperature for continuous operation (°C)	50	RPM	2150
Voltage (V)	220-240	Sound Pressure level L _p [dB (A)] 3m	34,4

DIMENSIONS



Etichetta Energetica	NO
Size A (mm)	179
Size B (mm)	17
Size C (mm)	89
Size D (mm)	119

PER INFORMAZIONI:

Servizio al Cliente: tel +39 02 90699395 premendo 1 dopo messaggio registrato (consulenza su prodotti e impianti)

Pre & Post Vendita: fax +39 02 90699302

Email prevendita: prevendita@vortice-italy.com

Technical Data Sheet

CODE 11132

MF 120/5" LL

Wall axial fans



DESCRIPTION

- Material: UV resistant plastic (prevents ageing caused by exposure to sunlight).
- Nominal diameter 120 mm.
- Motor protected against thermal overload, with shaft turning in ball bearings, coupled to screw type thermoplastic impeller with wing

- Vortice speed controller.

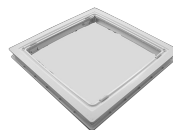
ACCESSORIES



C 1.5
(COMANDO EL.
1.5 A)
Code 12966



KIT SCB
(TRASF.E.C.)
Code 22481



SF 120
Code 22163

PER INFORMAZIONI:

Servizio al Cliente: tel +39 02 90699395 premendo 1 dopo messaggio registrato (consulenza su prodotti e impianti)
Pre & Post Vendita: fax +39 02 90699302
Email prevendita: prevendita@vortice-italy.com