



3-in-1 Current Transformers

A range of 3-in-1 current transformers combine three traditional current transformers in one moulded case. 3-in-1 current transformers can be directly installed next to a three-phase moulded case circuit breaker, thus saving installation time where fitting three standard individual current transformers would be required. The M3N1 range of current transformers offers primary currents between 60-630A with 5A secondaries with up to class 0.5 accuracy performance.

Specifications

System voltage	720V maximum
Test voltage	3kV for 1 minute
System frequency	50Hz or 60Hz
Primary ratings	60A to 630A
Short circuit thermal current	60 x rated primary current (Ith): for 1 sec
Overload withstand	1.2 x rated current continuously
Rated dynamic current	= 2.55 x Iht
Secondary terminals	M4 screw terminals
Enclosure	Flame retardant grade classified UL 94V-0
Aperture holes centres	25, 35, 45mm
Operating temperature	-20°C to +85°C
Accuracy	Class 0.5, 1, 3
Mounting hardware	Plug-in metal feet for wall or base mounting Busbar and DIN-rail mounting
Compliant with	IEC/EN 60044-1

Features

- Cost effective three-phase moulded case
- Ratio's ranging from 60/5 to 630/5
- Integrated wire sealable terminal cover
- Busbar, DIN-rail and metal feet mounting hardware supplied
- Combined M4 posi/slot screw

Benefits

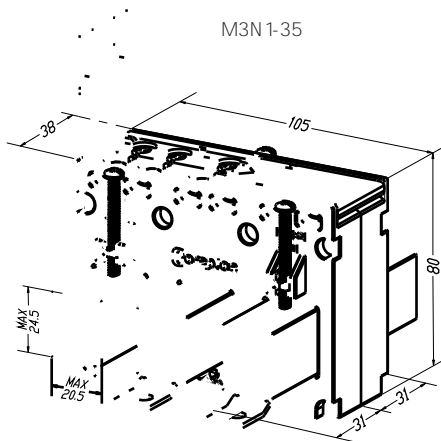
- Isolated output for safety
- Faster installation
- Compact size
- Ex-stock delivery

Applications

- Switchgear
- Distribution systems
- Generator sets
- Control panels

Dimensions

M3N1-25



M3N1-35

M3N1-45

