

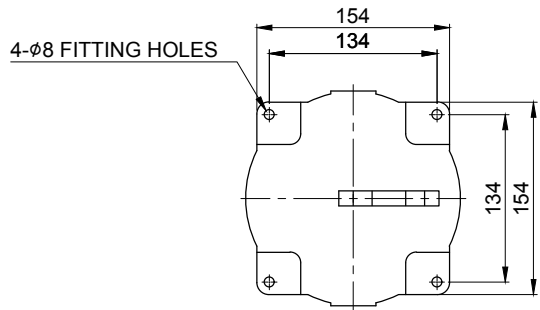
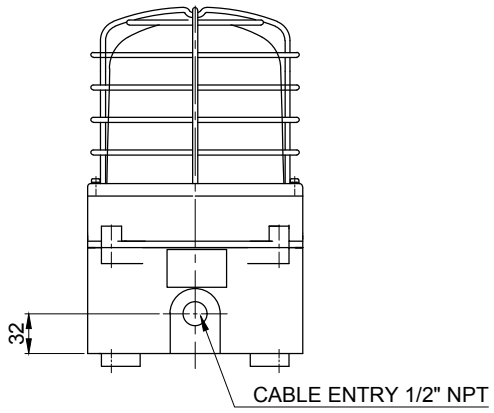
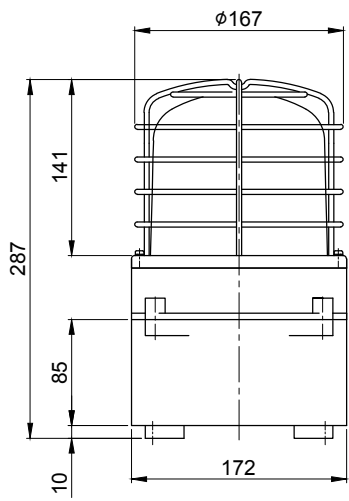
1 2 3 4 5 6

A

B

C

D



MARK	DATE	REVISION	REVISER	APP .BY
①				
②				
③				

MODEL NO		SEAL		
MATERIAL		HOUSING-AL LENS-TEMPERED CLASS REFLECTOR-HEAT RESISTANT ABS		
COLOR OF LENS		RED( ), AMBER( ), GREEN( ), BLUE( )		
FLASHING PER MIN.		60 ~ 80		
USE VOLT.	LED	CURRENT	0.08W	MAX. 0.185A
				0.045A
				0.025A
PROTECTION GRADE		WATER & DUST PROOF IP66		
CABLE ENTRY		1/2" NPT		
COLOR OF HOUSING		MUNSELL NO. 7.5BG 7/2		
ACTION		LED STEADY/ FLASHING LIGHT		

FOR LINEAR DIMENSIONS	ISO2768-1 : CLASS OF TOLERANCE					SURFACE FINISH
	f	m	Ⓢ	v		
0.5~3	±0.05	±0.1	±0.2	-		
3~6			±0.3	±0.5		
6~30	±0.1	±0.2	±0.5	±1		
30~120	±0.15	±0.3	±0.8	±1.5		
120~400	±0.2	±0.5	±1.2	±2.5		
400~1000	±0.3	±0.8	±2	±4		
FOR ANGULAR DIMENSIONS	0~10	±1°	±1°30'	±3°		
	10~50	±0°30'	±1°	±2°		
	50~120	±0°20'	±0°30'	±1°		
	120~400	±0°10'	±0°13'	±0°30'		

Nr.	DWG. NO.	TITLE/ NAME		MAT'L	QTY	REFERENCE
DSND BY	CHKD BY	CHKD BY	APRV BY	VIEW	DATE	
S.H.KIM	J.H.PARK		J.K.HAN	3	2019.03.20	
TITLE			MODEL	SEAL		
SEAL OUTLINE DRAWING			DWG. NO.	SEAL_OUT		
SCALE		SIZE	REV	SHEET		
N/S		A4	00	1/1		

1 2 3 4 5 6 A4(297X210)

