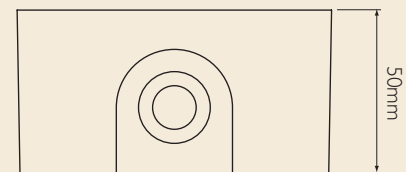
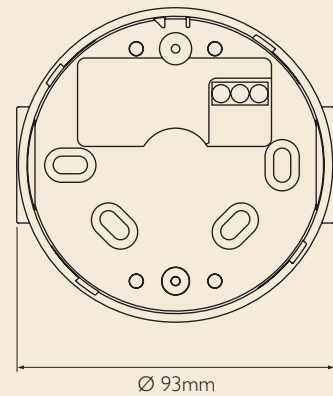




POWERED BASE



The Powered Deep Base incorporates a small 24Vdc supply that allows any of the compatible Fullon sounders and beacons to be operated from 110 or 230Vac supplies. This allows the installer much greater flexibility in the use of products and their applications

- WIDE INPUT VOLTAGE RANGE
- UP TO 100mA OUTPUT
- SUITABLE FOR EXTERNAL USE
- COMPATIBLE WITH:
 - ROLP
 - ROLP SOLISTA
 - FLASHNI
 - SOLEX 3/10
 - SOLISTA
 - CLARIFIRE
 - CLARIFIRE SB

Specification

Input voltage	86 to 264Vac @ 50-60Hz
Output voltage	24Vdc
Output current	100mA max
Temperature	- 20°C to +55°C
Monitoring	n/a
IP Rating	IP65
Construction	FR ABS (Deep base)
Weight	0.1Kg
Colour	Red or White