



LUCI ROTANTI

ROTATING BEACONS / FEUX TOURNANTS / DREHSPIEGELLEUCHTEN / LUCES ROTATIVAS

V 12-24-48-110-230-240 ($\pm 10\%$)		==	~ 50/60 Hz	r.p.m. 160 \pm 30			IP 55				
°C -30 +50	On ∞	M 20		1	2	3	4	5	6	PC	AUTOESTINGUENTE SELF-EXTINGUISHING AUTO-EXTINGUIBLE SELBSTLOSCHEND AUTOEXTINGUIBLE

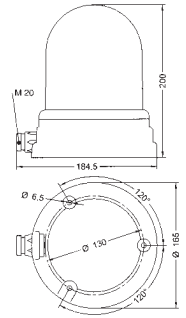


PG/R/AGR
PGRAGR
PGRAGRH

③

	V ==	12	24	48	-	-	-	-
	V ~	12	24	-	48	110	230	240
BA 15s 45W == LR BA 15s 45W E 14 25W ~	A	4	2.1	1	0.74	0.31	0.15	0.15
	Cd (p)	6500	6500	6500	600	400	400	400

	V ==	12	24
	V ~	12	24
H1 12V 55W LR H 55W 12 H1 24V 70W LR H 70W 24	A	4.8	3.1
	Cd (p)	10000	10000



Kg. 0,96

PGRAGR12D2	47122	PGRAGR48A5	47165	PGRAGR12D3	47173
PGRAGR12D5	47125	PGRAGR110A2	47442	PGRAGR12D5	47175
PGRAGR24D1	47131	PGRAGR110A3	47443	PGRAGR24D1	47181
PGRAGR24D2	47132	PGRAGR110A5	47445	PGRAGR24D2	47182
PGRAGR24D3	47133	PGRAGR230A2	47452	PGRAGR24D3	47183
PGRAGR24D4	47134	PGRAGR230A3	47453	PGRAGR24D4	47184
PGRAGR24D5	47135	PGRAGR230A4	47454	PGRAGR24D5	47185
PGRAGR24A1	47141	PGRAGR230A5	47455	PGRAGR24D6	47186
PGRAGR24A2	47142	PGRAGR240A1	47461	PGRAGR24A1	47191
PGRAGR24A3	47143	PGRAGR240A2	47462	PGRAGR24A2	47192
PGRAGR24A4	47144	PGRAGR240A3	47463	PGRAGR24A3	47193
PGRAGR24A5	47145	PGRAGR240A4	47464	PGRAGR24A4	47194
PGRAGR48D5	47155	PGRAGR240A5	47465	PGRAGR24A5	47195
PGRAGR48A2	47162	PGRAGR240A6	47466	PGRAGR24A6	47196
PGRAGR48A3	47163	PGRAGR12D2	47172		

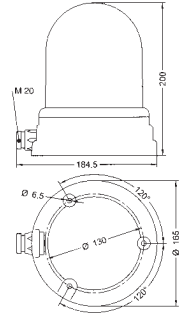


PG/TOR/AGR
PGTORAGR

③

	V ~	110	230	240
	A	0.5	0.25	0.22
	Cd (p)	10000	10000	10000

H1 12V 55W
LR H 55W 12



Kg. 1,45

PGTORAGR110A2	47212	PGTORAGR230A5	47225
PGTORAGR110A3	47213	PGTORAGR230A6	47226
PGTORAGR110A5	47215	PGTORAGR240A1	47231
PGTORAGR110A6	47216	PGTORAGR240A2	47232
PGTORAGR230A1	47221	PGTORAGR240A3	47233
PGTORAGR230A2	47222	PGTORAGR240A4	47234
PGTORAGR230A3	47223	PGTORAGR240A5	47235
PGTORAGR230A4	47224	PGTORAGR240A6	47236

Per ordinare l'opzione nera vedere codici su listino in vigore - Black option available on request - Couleur noire disponible sur demande - Farbe Schwarz auf Anfrage lieferbar - Color negro disponible bajo petición

V 12-24-110-230-240 ($\pm 10\%$)		==	~ 50/60 Hz	r.p.m. 160 \pm 30			IP 54			
°C -30 +50	On ∞	M 20		1	2	3	4	5	6	PMMA

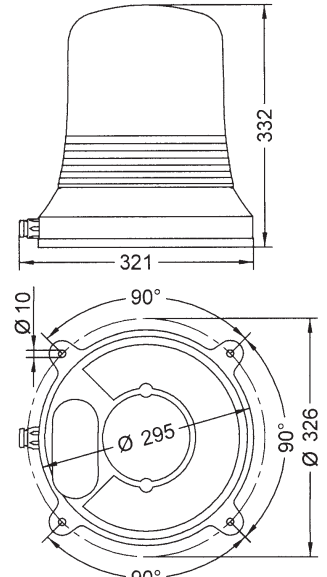


ROTOLUX H
RTL H

⑤ ⑭

	V ==	12	24	-	-	-
	V ~	12	24	110	230	240
H1 12V 55W LR H 55W 12 H1 24V 70W LR H 70W 24	A	4.6	2.8	0.5	0.25	0.22
	Cd (p)	8500	8500	8500	8500	8500

RTLH12D2	26081	RTLH110A4	26095
RTLH12D3	26082	RTLH110A6	26097
RTLH24D2	26087	RTLH230A2	26099
RTLH24D3	26088	RTLH230A3	26100
RTLH24A5	26167	RTLH230A5	26102
RTLH110A2	26093	RTLH240A2	26105
RTLH110A3	26094	RTLH240A3	26106



Kg. 3,9