

# Ex-Proof Signal Horn dHH Ex-Proof Signal Bell dHW



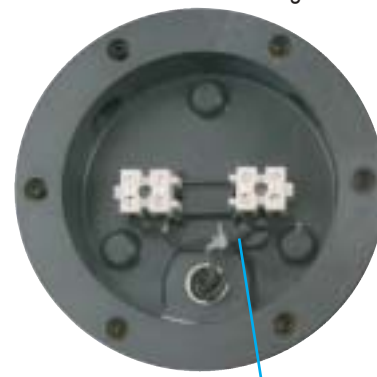
dHH – dHHR



mounting bracket 4VA stainless



dHW – dHWR



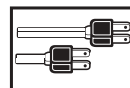
terminal connection chamber in protection class increased safety „e“



II 2 G EEx de IIC T6  
II 2 D IP66 T80 °C  
Zone 1 + 2

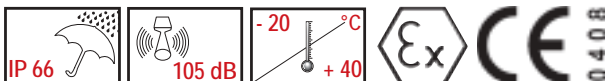
## Features

- ▶ loud signal horn with typical horn tone (dHH) resp. loud signal bell with typical bell tone (dHW)
- ▶ for use in explosion endangered areas of zone 1 and 2
- ▶ modular system with synthetic housing made of glassfibre reinforced polyester
- ▶ flameproof chamber „d“ – terminal connection chamber in protection class increased safety „e“
- ▶ lower weight – robust and corrosion proof design
- ▶ insulation class II – no equipotential bonding required
- ▶ DC models with electronic contact breaker – significantly higher lifetime
- ▶ models dHHR resp. dHWR with integrated telephone call current relay

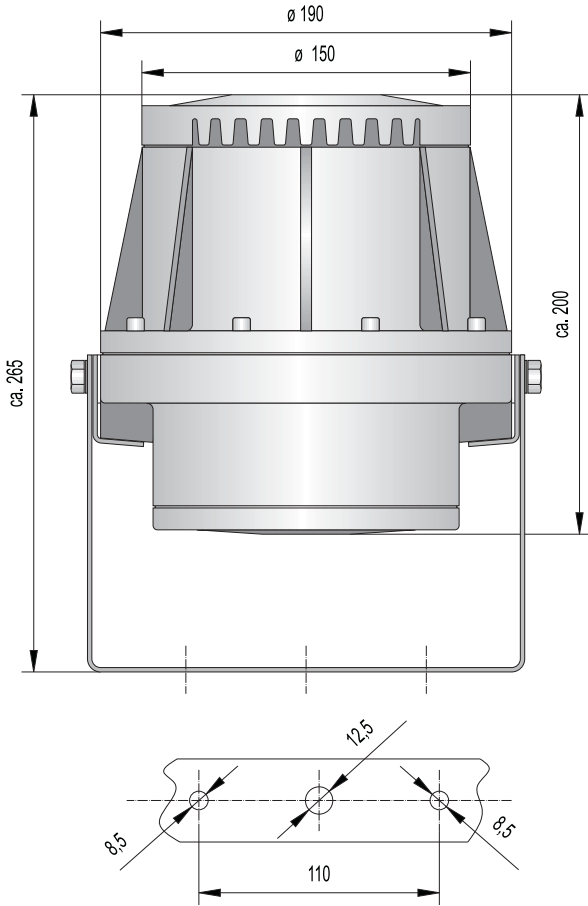


## Technical data

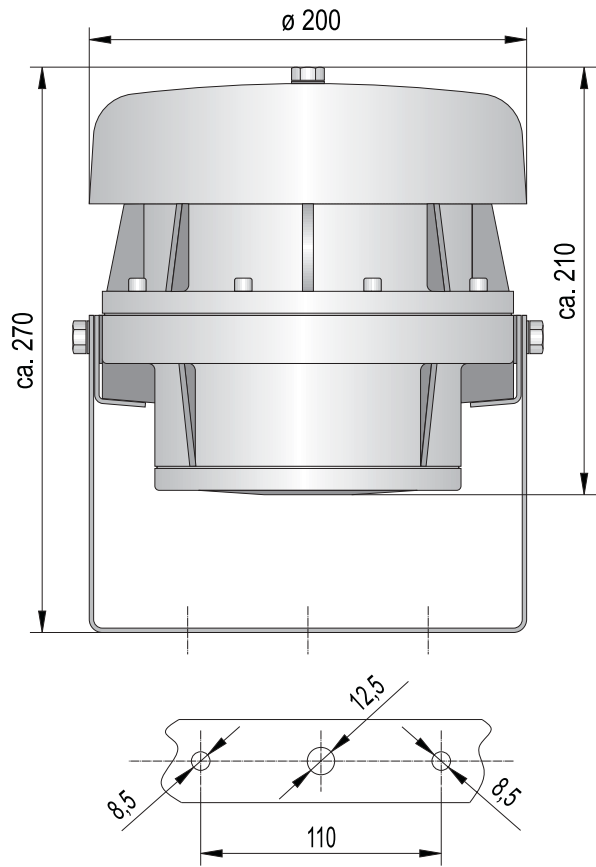
Type	dHH	dHW
Housing, Colour	glassfibre reinforced polyester dark grey RAL 7024	
Terminal	1,5 mm <sup>2</sup> fine wire 2,5 mm <sup>2</sup> single wire	
Cable entry	cable gland M20 x 1,5 blind plug M20 x 1,5 dHHR/dHWR: 2 x cable gland M20 x 1,5	
Mounting	as required - swiveling mounting bracket, preferably sound outlet to front or downwards	
Operation	continuous	
Insulation class	II no equipotential bonding required	
Weight	5,5 kg	6,0 kg
Approval	PTB 01 ATEX 1133	PTB 01 ATEX 1134



dHH – dHHR



dHW – dHWR



Order data

Nominal voltage (V)	Hz	Order No.				
		dHH	Nominal current (A)	dHW	Nominal current (A)	
6 V AC	50 Hz	300 000 103	2,30			
12 V AC		300 000 104	1,20	320 000 104	0,60	
24 V AC		300 000 105	0,65	320 000 105	0,32	
42 V AC		300 000 107	0,30	320 000 107	0,30	
48 V AC		300 000 108	0,35	320 000 108	0,30	
60 V AC		300 000 109	0,25	320 000 109	0,24	
110 V AC		300 000 110	0,15	320 000 110	0,14	
230 V AC		300 000 113	0,07	320 000 113	0,055	
120 V AC		60 Hz	300 000 211	0,15	320 000 211	0,18
240 V AC			300 000 213	0,07	320 000 213	0,065
6 V DC		300 000 003	1,00	320 000 003	1,20	
12 V DC		300 000 004	0,60	320 000 004	0,60	
24 V DC		300 000 005	0,30	320 000 005	0,35	
48 V DC		300 000 008	0,17	320 000 008	0,30	
60 V DC		300 000 009	0,15	320 000 009	0,23	
110 V DC		300 000 010	0,08	320 000 010	0,13	
220 V DC		300 000 013	0,05	320 000 013	0,07	
<b>Models with telephone call current relay</b>						
Nominal voltage (V)		Hz	dHHR	Nominal current (A)	dHWR	Nominal current (A)
230 V AC		50 Hz	300 100 013	0,07	320 100 113	0,055

For all models: nominal voltage tolerance: +10%, -15%