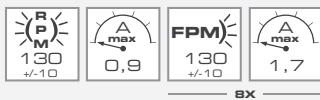
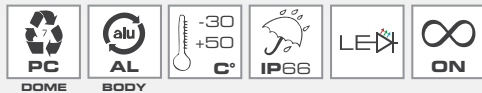




CRYSTAL LED B
CRYSTAL 8X LED B
ISO B1 (FLAT BASE)

- > ECE R65 APPROVED <
- > LOW CONSUMPTION <
- > EXCELLENT OPTICAL PERFORMANCE <



ALSO AVAILABLE



CRYSTAL LED A
CRYSTAL 8X LED A
ISO A (MOUNT ON ADAPTER SOCKET)

CRYSTAL LED M
CRYSTAL 8X LED M
ISO D (MAGNETIC BASE)



CRYSTAL LED | PART NO

	CRYSTAL LED (ROTATING EFFECT)	CRYSTAL 8X LED (FLASHING EFFECT)
	12/24V	12/24V
	A	A R
ISO B1	36417	36439 36458
ISO A	36416	36440 36457
ISO D SAC	36401	36437 36396
ISO D JACK	36405	36448 -
ISO D LISC.SAC	36409	36446 -

CRYSTAL LED

Approved beacons with polycarbonate dome and aluminium base.

Developed with LED light source, the beacon is available with rotating (CRYSTAL LED) or flashing effect (CRYSTAL 8X LED).

Engineered to synchronize more devices (ISO B1 base versions) switched on simultaneously (max. 8 devices).

Available also with magnetic base (CRYSTAL LED M, CRYSTAL 8X LED M):

- with helix cable and cigarette lighter plug (SAC)
- with helix cable and 90° coaxial jack (JACK)
- with 4,5 m straight cable and cigarette lighter plug (LISC. SAC).

KEY CHARACTERISTICS

VOLTAGE
12/24V DC

LIGHT EFFECT
ROTATING EFFECT (CRYSTAL LED)
FLASHING EFFECT (CRYSTAL 8X LED): 2F/4F

LIGHT INTENSITY
According to ECE R65

PROTECTION GRADE
IP66

OPERATING TEMPERATURE
-30/+50 °C

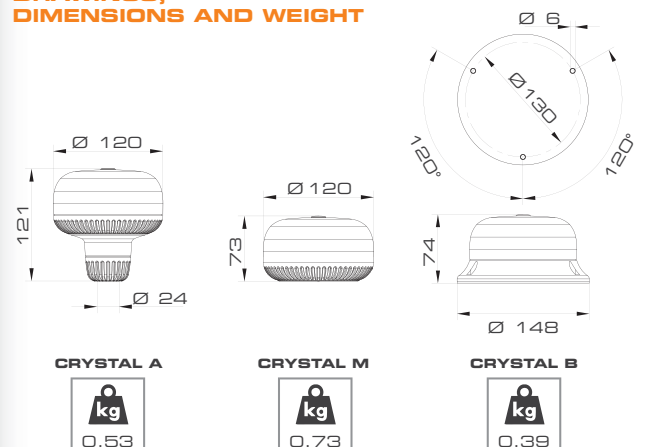
MECHANICAL FEATURES

Unbreakable polycarbonate dome and aluminium base (according to ISO 4148, standard form B11 form A I form D)

OPTICAL FEATURES

Optical group made up of 8 LED allowing a high intensity rotating or flashing effect

DRAWINGS, DIMENSIONS AND WEIGHT



CERTIFICATIONS



HOMOLOGATION NUMBERS

	CRYSTAL LED (ROTATING EFFECT)	CRYSTAL 8X LED (FLASHING EFFECT)
ECE R65 TA1 E3	00 7070 A	00 7105 A
ECE R65 TR1 E3		00 7105 R
EMC 2006/28/CE e3 03 1184 (12/24V)		03 1201 (12/24V)