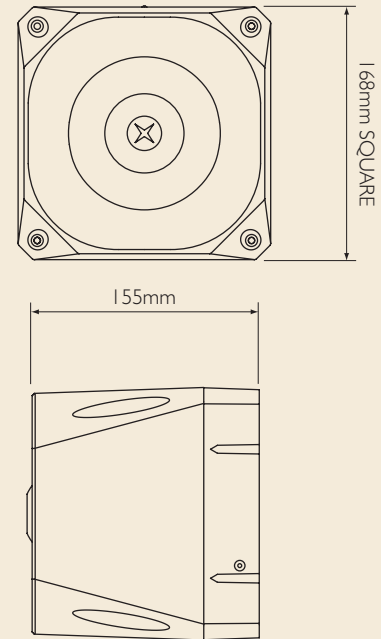


ASSERTA 24 - 230 VOLT HIGH OUTPUT SOUNDER



The Asserta warning sounder is designed to cope with harsh environments requiring protection to IP66. Design features are incorporated to ensure safer and easier installation, while providing flexibility with fewer product variants.

- 110dB(A) OR 120dB(A) OUTPUT VERSION AVAILABLE
- IP66 PROTECTION
- SIMPLE FIRST & SECOND FIX INSTALLATION
- 42 ALARM TONES
- 3 STAGE ALARM
- SOUNDER TIME OUT - USER ADJUSTABLE
- OPTIONAL SWIVEL MOUNT BRACKET

Specification

Voltage	24V	18 to 30Vdc
	230V	115 to 230Vdc
Current	24V	110dB(A) = 120mA 120dB(A) = 450mA
	230V	110dB(A) = 35mA 120dB(A) = 70mA
Output @ 1m		110dB(A) 120dB(A)
Tones		42
Alarm Stages		3
Temperature		- 25°C to + 70°C
Construction		ABS
IP Rating		IP66
Weight		24V = 1.6Kg 230V = 2Kg
Colour		Red or Grey