



SINGLE PHASE ELECTRONIC KILOWATT-HOUR METER

MODEL T-1KW1



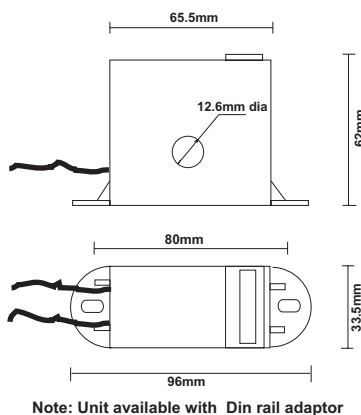
The latest technology results in the most compact kWh meter yet

Carrel Electrade have used the latest in DSP semiconductor techniques and SMD circuitry to produce an extremely compact electronic kWh meter which is intended to replace clumsy mechanical meters. To avoid using bulky terminals the current path passes through an inbuilt CT via a hole through the case. In addition to the integral 6 digit counter the meter can be supplied in a version which has an NPN open collector pulse output for use with data loggers or similar electronic recorders or controllers.

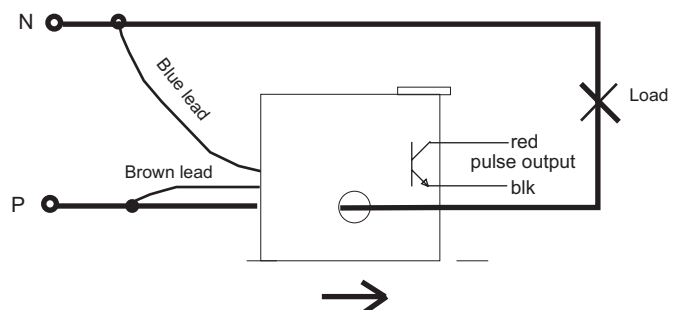
Specifications

Inputs	: 0 - 15 - 60A ac, 230V ac or 110V ac
Outputs	: Integral 6 digit counter with 0.1 kWh units and (optionally) NPN open collector opto-coupler with 250msec pulses = 0.1 kWh
Accuracy	: Class 1 (IEC 61036)
Cutoff	: <1 Watt
EMC Compliance	: AS/NZS 61000.6.3:2012

Dimensions



Connections



CARREL ELECTRADE LTD

MANUFACTURERS, IMPORTERS AND DISTRIBUTORS OF ELECTRICAL ENGINEERING PRODUCTS
 POSTAL ADDRESS: P O BOX 11078, ELLERSLIE 1542, AUCKLAND NEW ZEALAND
 FACTORY AND OFFICE: 661 GREAT SOUTH ROAD, PENROSE 1061
 TELEPHONE: +64-9-525 1753 FACSIMILE: +64-9-525 1756
 CHRISTCHURCH BRANCH: 73B BRISBANE STREET, SYDENHAM
 TELEPHONE: 03-366 1242 FACSIMILE: 03-379 1991
 EMAIL: sales@carrel-electrade.co.nz WEB: www.carrel-electrade.co.nz