



ELECTRONIC KILOWATT-HOUR METER



Up to date technology brings a new energy measuring instrument to the electrical industry

The C&C Energy Meter is based on semiconductor technology and is intended to replace the conventional electromechanical (Ferraris type) commonly used power meter.

Models are available for single phase, three phase three wire and three phase four wire systems. Inputs are from standard current transformers and normal mains voltages.

Output is in the form of unit energy (watt-hour) pulses read by the built in counter or outputted to an external counting system.

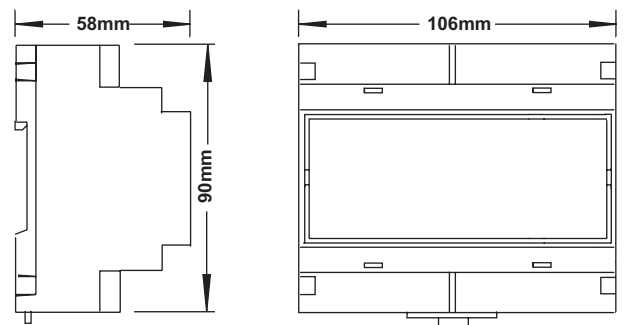
Basic Specifications

- Inputs** : 0-1A, 0-5A, standard current transformer
: 110V, 230V, 400V ac
- Outputs** : 1. Internal 7 digit accumulating counter
: 2. NPN open collector opto coupler (pulse or square wave)
: 3. N/O relay contacts (dry contact)
: 4. Output types 1 and 2 together
: 5. Output types 1 and 3 together
- Accuracy**: Class 1

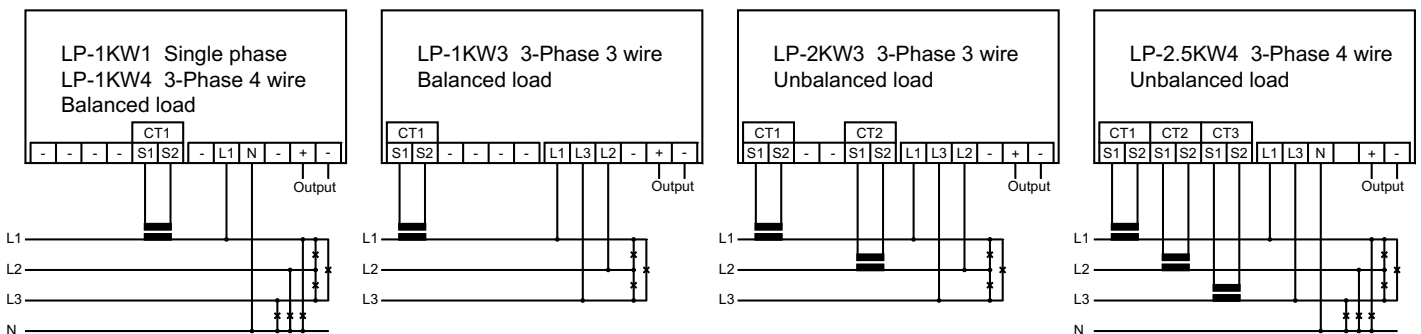
Models Available

- LP-1KW1 Single Phase
LP-1KW3 Three Phase, Three Wire Balanced Load
LP-1KW4 Three Phase, Four Wire Balanced Load
LP-2KW3 Three Phase, Three Wire Unbalanced Load
LP-2.5KW4 Three Phase, Four Wire Unbalanced Load

Dimensions



Connections



CARREL-ELECTRADE LTD
 MANUFACTURERS, IMPORTERS AND DISTRIBUTORS OF ELECTRICAL ENGINEERING PRODUCTS
 POSTAL ADDRESS: P O BOX 11 078 ELLERSLIE AUCKLAND 1542 NEW ZEALAND
 FACTORY AND OFFICE: 661 GREAT SOUTH ROAD PENROSE AUCKLAND 1061
 TELEPHONE: +64 9 525 1753 FACSIMILE: +64 9 525 1756
 EMAIL: sales@carrel-electrade.co.nz WEB: www.carrel-electrade.co.nz