



Energy Division

Crompton Instruments Ebony Current Transformers

Moulded Case Current Transformers

Ebony Series Measuring and Protection

The range of Crompton Instruments Ebony current transformers offers wide system current ratings, apertures, busbar and case sizes to suit every application. Manufactured to meet EN 60044 the range benefits include ratio rating from 1/5 to 6000/5, accuracy up to class 0.5, integral terminal cover for safety and multiple mounting options.

Construction

The toroidal core and secondary winding is encapsulated by a self-extinguishing polycarbonate moulded case cover providing excellent mechanical strength and electrical insulation. The material is halogen free thus reducing risk of halogen emissions in case of fire. The integral covered secondary terminals offer protection to IP20B and the enclosure is protected to IP40.

Installation options

- Plug-in metal feet for wall or base mounting
- Plastic DIN-rail clips for DIN-rail mounting
- Moulded busbar mounting
- Primary copper busbar mounting
- Multi busbar mounting for two busbars

Specifications

| | |
|--|---|
| System voltage: | 720V maximum |
| Test voltage: | 3kV for 1 minute |
| System frequency: | 50/60Hz |
| Short circuit thermal current (I _{th})*: | 60 x rated primary current for 1 second |
| Overload withstand: | 1.2 x rated current continuously |
| Dynamic current (I _{dyn})*: | = 2.55 x I _{th} |
| Saturation coefficient: | <5 for through aperture models <10 for wound primary |
| Service temperature: | -20°C to 85°C |
| Insulation class: | Class E BS2757 IEC85 |
| Enclosure code: | IP40 |
| Integral terminal cover: | IP20B |
| Complies with: | IEC 60044-1:2003 |
| Humidity: | Up to 95% RH (non condensing) |
| Secondary terminals screw clamp: | Up to 10mm ² cable |
| 'Fast On': | 6.3mm type |

Loss in copper wires between instrument and CT for 5A secondary

| Wire section in mm ² | Loss in VA (for both wires) | | | | | |
|---------------------------------|-----------------------------|------|------|------|------|------|
| | 1m | 2m | 4m | 6m | 8m | 10m |
| 1.5 | 0.60 | 1.19 | 2.38 | 3.57 | 4.76 | 5.95 |
| 2.5 | 0.36 | 0.71 | 1.43 | 2.14 | 2.86 | 3.57 |
| 4 | 0.22 | 0.45 | 0.89 | 1.34 | 1.79 | 2.23 |
| 6 | 0.15 | 0.30 | 0.60 | 1.89 | 1.19 | 1.49 |
| 10 | 0.09 | 0.18 | 0.36 | 0.54 | 0.71 | 0.89 |

Loss in copper wires between instrument and CT for 1A secondary

| Wire section in mm ² | Loss in VA (for both wires) | | | | | |
|---------------------------------|-----------------------------|------|------|------|------|------|
| | 10m | 20m | 40m | 60m | 80m | 100m |
| 1 | 0.36 | 0.71 | 1.43 | 2.14 | 2.86 | 3.57 |
| 1.5 | 0.24 | 0.48 | 0.95 | 1.43 | 1.90 | 2.38 |
| 2.5 | 0.14 | 0.29 | 0.57 | 0.86 | 1.14 | 1.43 |
| 4 | 0.09 | 0.18 | 0.36 | 0.54 | 0.71 | 0.89 |
| 6 | 0.06 | 0.12 | 0.24 | 0.36 | 0.48 | 0.60 |
| 10 | 0.04 | 0.07 | 0.14 | 0.21 | 0.29 | 0.36 |

Consult factory for availability and lead time on 1A secondary.



Features

- CT ratios from 1/5 to 6000/5
- Accuracy up to Class 0.5
- Integral terminal cover
- High impact, flame retardant moulded case
- Busbar, DIN-rail or foot mounting options

Benefits

- Wide range of apertures and case sizes
- Reduction of high currents for ease of metering
- Long product life

Approvals

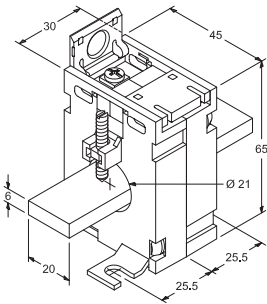
- BS EN 61010-1
- EN 60044-1
- UL Recognized file no: E257877 (MA5Y, M55E, M53J, M63N, M93L, MB5D, MB5Z only)

* Thermal current (I_{th}) & dynamic current (I_{dyn})

I_{th} is the highest primary current (effective value), the I_{dyn} is the highest primary current (Peak Value) that the CT can support for 1 second without damage, owing to excessive overloads with secondary short circuits.

M53Q Range

Case Size: 45mm wide x 30mm deep x 65mm high
 1.8" wide x 1.2" deep x 2.5" high
 Aperture: 20 x 6mm and 21mm diameter
 0.8" x 0.2" and 0.8" diameter
 Weight: 0.25kg



- Mounting feet centres 26mm x 51mm

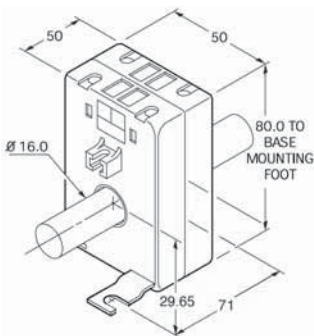
| Model type | Ratio range | VA at Class 3 | VA at Class 1 |
|------------|-------------|---------------|---------------|
| M53Q | 50/5 | 1 | - |
| M53Q | 60/5 | 1.25 | - |
| M53Q | 75/5 | 1.5 | - |
| M53Q | 80/5 | 1.5 | - |
| M53Q | 100/5 | 2.5 | 1.5 |
| M53Q | 125/5 | 3 | 2.5 |
| M53Q | 150/5 | 3.75 | 2.5 |
| M53Q | 200/5 | 5 | 3.75 |
| M53Q | 250/5 | - | 5 |
| M53Q | 300/5 | 7.5 | 5 |

Ordering Codes

| | |
|-------------|--|
| M53Q | Add suffix to depict required ratio range. For example: M53Q-50/5 |
| M30-DINCLIP | DIN-rail mounting clip for DIN-rail mounting option (2 required) |

M55E Range

Case Size: 50mm wide x 50mm deep x 80mm high
 2" wide x 2" deep x 3.1" high
 Aperture: 15 x 5mm and 16 diameter
 0.6" x 0.2" diameter
 Weight: 0.4Kg



- Mounting feet centres 33mm x 71mm

| Model type | Ratio range | VA at Class 3 | VA at Class 1 |
|------------|-------------|---------------|---------------|
| M55E | 30/5 | 1.25 | - |
| M55E | 40/5 | 2.5 | - |
| M55E | 50/5 | 2.5 | - |
| M55E | 60/5 | 3.75 | 2.5 |
| M55E | 75/5 | 5 | 3.75 |
| M55E | 80/5 | 5 | 3.75 |
| M55E | 100/5 | 7.5 | 5 |

Ordering Codes

| | |
|-------------|--|
| M55E | Add suffix to depict required ratio range. For example: M55E-60/5 |
| M50-DINCLIP | DIN-rail mounting clip for DIN-rail mounting option (2 required) |

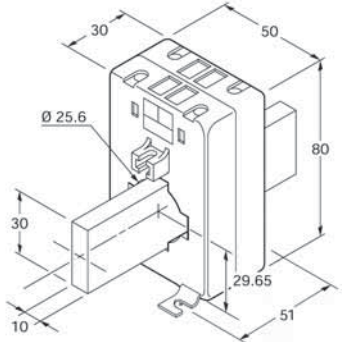
M53J Range

Case Size: 50mm wide x 30mm deep x 80mm high
 2" wide x 1.2" deep x 3.1" high
 Aperture: 30 x 10mm, 25 x 15mm and 20 x 20mm and 25mm diameter
 1.2" x 0.4", 1" x 0.6" and 0.8" x 0.8" and 1.0" diameter
 Weight: 0.22Kg

| Model type | Ratio range | VA at Class 3 | VA at Class 1 |
|------------|-------------|---------------|---------------|
| M53J | 100/5 | 1.25 | - |
| M53J | 125/5 | 1.25 | - |
| M53J | 150/5 | 2.5 | - |
| M53J | 160/5 | 2.5 | - |
| M53J | 200/5 | 2.5 | 2.5 |
| M53J | 250/5 | 3.75 | 2.5 |
| M53J | 300/5 | 5 | 3.75 |
| M53J | 400/5 | 7.5 | 3.75 |

Ordering Codes

| | |
|-------------|---|
| M53J | Add suffix to depict required ratio range. For example: M53J-100/5 |
| M30-DINCLIP | DIN-rail mounting clip for DIN-rail mounting option (2 required) |



- Mounting feet centres 33mm x 51mm

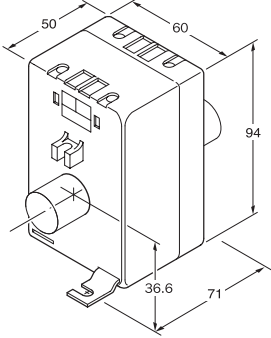
M65F Range

Case Size: 60mm wide x 50mm deep x 94mm high
 2.4" wide x 2" deep x 3.7" high
 Aperture: 20 x 10mm and 23mm diameter
 0.8" x 0.4", 0.9" diameter
 Weight: 0.4Kg

| Model type | Ratio range | VA at Class 3 | VA at Class 1 | VA at Class 0.5 |
|------------|-------------|---------------|---------------|-----------------|
| M65F | 30/5 | 1.25 | - | - |
| M65F | 40/5 | 2.5 | - | - |
| M65F | 50/5 | 2.5 | - | - |
| M65F | 60/5 | 3.75 | - | - |
| M65F | 75/5 | 5 | 2.5 | - |
| M65F | 80/5 | 5 | 2.5 | - |
| M65F | 100/5 | 7.5 | 5 | 2.5 |
| M65F | 125/5 | 7.5 | 5 | 2.5 |
| M65F | 150/5 | 15 | 10 | 5 |
| M65F | 200/5 | 20 | 15 | 7.5 |
| M65F | 250/5 | 20 | 20 | 10 |
| M65F | 300/5 | 30 | 30 | 10 |

Ordering Codes

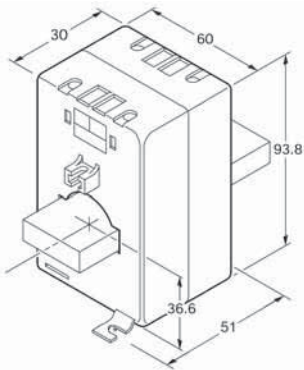
| | |
|-------------|--|
| M65F | Add suffix to depict required ratio range. For example: M65F-30/5 |
| M50-DINCLIP | DIN-rail mounting clip for DIN-rail mounting option (2 required) |



- Mounting feet centres 42mm x 71mm

M63N Range

Case Size: 60mm wide x 30mm deep x 94mm high
 2.3" wide x 1.2" deep x 3.7" high
 Aperture: 40 x 10mm and 32mm diameter
 1.5" x 0.4" and 1.2" diameter
 Weight: 0.3Kg



- Mounting feet centres
42mm x 51mm

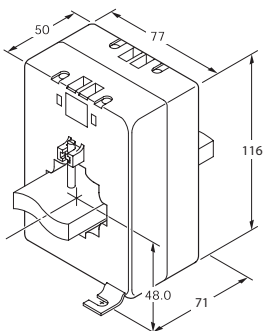
| Model type | Ratio range | VA at Class 3 | VA at Class 1 | VA at Class 0.5 |
|------------|-------------|---------------|---------------|-----------------|
| M63N | 200/5 | 2.5 | - | - |
| M63N | 250/5 | 3.75 | 2.5 | - |
| M63N | 300/5 | 5 | 3.75 | - |
| M63N | 400/5 | 7.5 | 5 | - |
| M63N | 500/5 | 10 | 7.5 | 3.75 |
| M63N | 600/5 | 10 | 7.5 | 5 |
| M63N | 750/5 | 15 | 10 | 7.5 |
| M63N | 800/5 | 15 | 10 | 7.5 |

Ordering Codes

| | |
|-------------|---|
| M63N | Add suffix to depict required ratio range. For example: M63N-200/5 |
| M30-DINCLIP | DIN-rail mounting clip for DIN-rail mounting option (2 required) |

MA5G Range

Case Size: 77mm wide x 50mm deep x 116mm high
 3" wide x 2" deep x 4.5" high
 Aperture: 40 x 10mm, 30 x 30mm and 36mm diameter
 1.6" x 0.4", 1.2" x 1.2" and 1.4" diameter
 Weight: 0.6Kg



- Mounting feet centres
58.5mm x 71mm

| Model type | Ratio range | VA at Class 3 | VA at Class 1 | VA at Class 0.5 |
|------------|-------------|---------------|---------------|-----------------|
| MA5G | 100/5 | 2.5 | - | - |
| MA5G | 125/5 | 5 | 2.5 | - |
| MA5G | 150/5 | 5 | 3.75 | - |
| MA5G | 200/5 | 10 | 5 | 2.5 |
| MA5G | 250/5 | 10 | 7.5 | 5 |
| MA5G | 300/5 | 10 | 7.5 | 5 |
| MA5G | 400/5 | 10 | 7.5 | 5 |
| MA5G | 500/5 | 10 | 7.5 | 5 |
| MA5G | 600/5 | 10 | 10 | 7.5 |
| MA5G | 750/5 | 15 | 10 | 10 |
| MA5G | 800/5 | 15 | 10 | 10 |
| MA5G | 1000/5 | 20 | 15 | 15 |

Ordering Codes

| | |
|-------------|---|
| MA5G | Add suffix to depict required ratio range. For example: MA5G-100/5 |
| M50-DINCLIP | DIN-rail mounting clip for DIN-rail mounting option (2 required) |

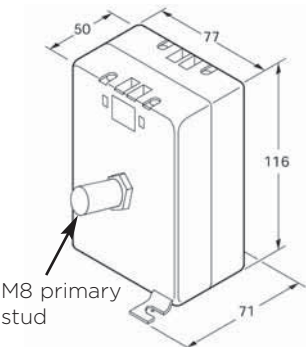
MA5Y Range

Case Size: 77mm wide x 50mm deep x 116mm high
 3" wide x 2" deep x 4.5" high
 Fixing: M8 stud primary bar
 Weight: 0.45Kg

| Model type | Ratio range | VA at Class 3 | VA at Class 1 |
|------------|-------------|---------------|---------------|
| MA5Y | 1/5 | 7.5 | 5 |
| MA5Y | 5/5 | 7.5 | 5 |
| MA5Y | 10/5 | 7.5 | 5 |
| MA5Y | 15/5 | 7.5 | 5 |
| MA5Y | 20/5 | 7.5 | 5 |
| MA5Y | 30/5 | 7.5 | 5 |
| MA5Y | 40/5 | 7.5 | 5 |

Ordering Codes

| | |
|-------------|---|
| MA5Y | Add suffix to depict required ratio range. For example: MA5Y-5/5 |
| M50-DINCLIP | DIN-rail mounting clip for DIN-rail mounting option (2 required) |



- Mounting feet centres 58.5mm x 71mm

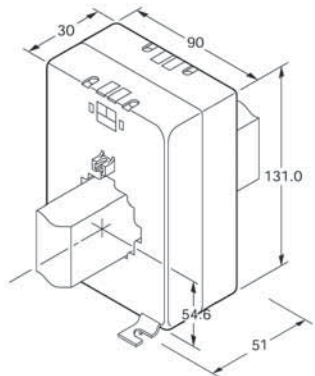
M93L Range

Case Size: 90mm wide x 30mm deep x 131mm high
 3.5" wide x 1.2" deep x 5.1" high
 Aperture: 50 x 10mm, 40 x 30mm and 42mm diameter
 2" x 0.4", 1.5" x 1.2" and 1.6" diameter
 Weight: 0.45Kg

| Model type | Ratio range | VA at Class 3 | VA at Class 1 | VA at Class 0.5 |
|------------|-------------|---------------|---------------|-----------------|
| M93L | 400/5 | 15 | 7.5 | 3.75 |
| M93L | 500/5 | 20 | 15 | 5 |
| M93L | 600/5 | 30 | 20 | 10 |
| M93L | 750/5 | 20 | 15 | 7.5 |
| M93L | 800/5 | 20 | 15 | 10 |
| M93L | 1000/5 | 20 | 20 | 15 |
| M93L | 1200/5 | 30 | 30 | 20 |
| M93L | 1250/5 | 30 | 30 | 20 |
| M93L | 1500/5 | 30 | 30 | 20 |
| M93L | 1600/5 | 30 | 30 | 20 |

Ordering Codes

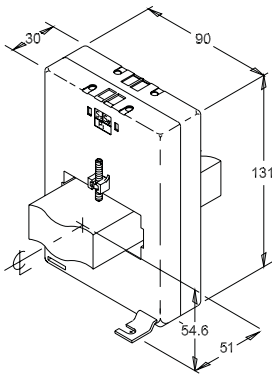
| | |
|-------------|---|
| M93L | Add suffix to depict required ratio range. For example: M93L-400/5 |
| M30-DINCLIP | DIN-rail mounting clip for DIN-rail mounting option (2 required) |



- Mounting feet centres 71.5mm x 51mm

M93R Range

Case Size: 90mm wide x 30mm deep x 131mm high
 3.5" wide x 1.2" deep x 5.1" high
 Aperture: 64 x 12.6mm, 60 x 30mm
 2.5" x 0.5", 2.4" x 1.2"
 Weight: 0.6Kg



- Mounting feet centres
71.5mm x 51mm

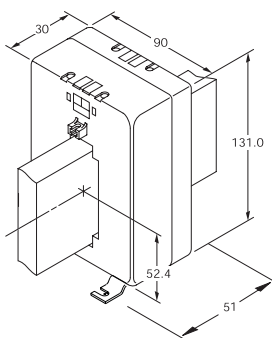
| Model type | Ratio range | VA at Class 3 | VA at Class 1 | VA at Class 0.5 |
|------------|-------------|---------------|---------------|-----------------|
| M93R | 800/5 | 10 | 10 | 5 |
| M93R | 1000/5 | 15 | 10 | 7.5 |
| M93R | 1200/5 | 20 | 15 | 10 |
| M93R | 1250/5 | 20 | 15 | 10 |
| M93R | 1500/5 | 20 | 20 | 15 |
| M93R | 1600/5 | 20 | 20 | 15 |
| M93R | 2000/5 | 30 | 20 | 20 |

Ordering Codes

| | |
|-------------|---|
| M93R | Add suffix to depict required ratio range. For example: M93R-800/5 |
| M30-DINCLIP | DIN-rail mounting clip for DIN-rail mounting option (2 required) |

M93S Range

Case Size: 90mm wide x 30mm deep x 131mm high
 3.5" wide x 1.2" deep x 5.1" high
 Aperture: 76.5 x 19mm, 60 x 30mm
 3.0" x 0.7", 2.4" x 1.2"
 Weight: 0.7Kg



- Mounting feet centres
71.5mm x 51mm

| Model type | Ratio range | VA at Class 3 | VA at Class 1 | VA at Class 0.5 |
|------------|-------------|---------------|---------------|-----------------|
| M93S | 800/5A | 10 | 10 | 5 |
| M93S | 1000/5A | 15 | 10 | 7.5 |
| M93S | 1200/5A | 20 | 15 | 10 |
| M93S | 1250/5A | 20 | 20 | 15 |
| M93S | 1500/5A | 20 | 20 | 15 |
| M93S | 1600/5A | 30 | 20 | 15 |
| M93S | 2000/5 | 30 | 20 | 15 |

Ordering Codes

| | |
|-------------|---|
| M93S | Add suffix to depict required ratio range. For example: M93S-800/5 |
| M30-DINCLIP | DIN-rail mounting clip for DIN-rail mounting option (2 required) |

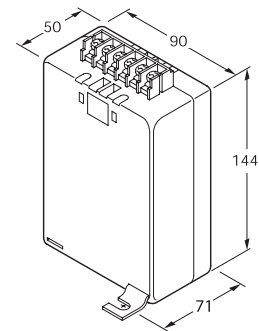
S95P Range

Case Size: 90mm wide x 50mm deep x 144mm high
 3.5" wide x 2" deep x 5.7" high
 Weight: 0.9Kg - 1.11Kg

| Model type | Primary Current | VA at Class 1 |
|------------|-----------------|---------------|
| S95P | 5 + 5 = 5 | 5 |
| S95P | 5 + 5 + 5 = 5 | 5 |

Ordering Codes

| | |
|-------------|---|
| S95P | Add suffix to depict required ratio range. For example: S95P-5/5 |
| M50-DINCLIP | DIN-rail mounting clip for DIN-rail mounting option (2 required) |



- Mounting feet centres
71.5mm x 71mm

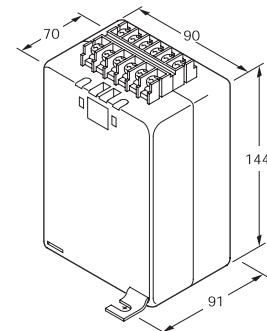
S97P Range

Case Size: 90mm wide x 70mm deep x 144mm high
 3.5" wide x 2.8" deep x 5.6" high
 Weight: 1.3Kg - 1.5Kg

| Model type | Primary Current | VA at Class 1 |
|------------|---------------------------|---------------|
| S97P | 5 + 5 + 5 + 5 = 5 | 5 |
| S97P | 5 + 5 + 5 + 5 + 5 = 5 | 5 |
| S97P | 5 + 5 + 5 + 5 + 5 + 5 = 5 | 5 |

Ordering Codes

| | |
|------|---|
| S97P | Add suffix to depict required ratio range. For example: S97P-5/5/5/5 |
|------|---|

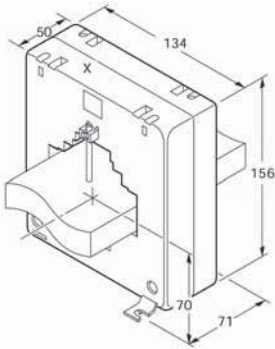


- Mounting feet centres
71.5mm x 91mm

MB5D Range



Case Size: 134mm wide x 50mm deep x 156mm high
 5.2" wide x 2" deep x 6.1" high
 Aperture: 80 x 30mm, 60 x 30mm, 50 X 50mm and 63mm diameter
 3.1" x 1.2", 2.3" x 1.2", 2 x 2" and 2.4" diameter
 Weight: 0.5Kg



- Mounting feet centres 105mm x 71mm
- Mounting hole centres 110 x 6.6mm

| Model type | Ratio range | VA at Class 3 | VA at Class 1 | VA at Class 0.5 |
|------------|-------------|---------------|---------------|-----------------|
| MB5D | 400/5 | 15 | 10 | 7.5 |
| MB5D | 500/5 | 20 | 15 | 10 |
| MB5D | 600/5 | 15 | 10 | 5 |
| MB5D | 750/5 | 15 | 10 | 5 |
| MB5D | 800/5 | 20 | 15 | 7.5 |
| MB5D | 1000/5 | 22.5 | 20 | 10 |
| MB5D | 1200/5 | 30 | 20 | 15 |
| MB5D | 1250/5 | 30 | 20 | 15 |
| MB5D | 1500/5 | 30 | 20 | 15 |
| MB5D | 1600/5 | 40 | 30 | 20 |
| MB5D | 2000/5 | 50 | 40 | 30 |

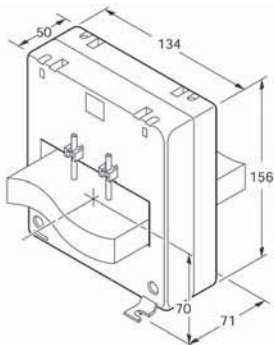
Ordering Codes

MB5D Add suffix to depict required ratio range.
 For example: MB5D-400/5

MB5Z Range



Case Size: 134mm wide x 50mm deep x 156mm high
 5.2" wide x 2" deep x 6.1" high
 Aperture: 104 x 35mm, 35mm diameter
 4" x 1.3" and 1.3" diameter
 Weight: 0.7Kg



- Mounting feet centres 105mm x 71mm
- Mounting hole centres 110mm x 6.6mm

| Model type | Ratio range | VA at Class 3 | VA at Class 1 | VA at Class 0.5 |
|------------|-------------|---------------|---------------|-----------------|
| MB5Z | 750/5 | 15 | 7.5 | 2.5 |
| MB5Z | 800/5 | 20 | 10 | 2.5 |
| MB5Z | 1000/5 | 22.5 | 15 | 7.5 |
| MB5Z | 1200/5 | 30 | 20 | 10 |
| MB5Z | 1250/5 | 30 | 20 | 15 |
| MB5Z | 1500/5 | 30 | 20 | 15 |
| MB5Z | 1600/5 | 30 | 20 | 15 |
| MB5Z | 2000/5 | 30 | 20 | 15 |
| MB5Z | 2400/5 | 30 | 20 | 15 |
| MB5Z | 2500/5 | 30 | 20 | 15 |
| MB5Z | 3000/5 | 30 | 20 | 15 |
| MB5Z | 4000/5 | 30 | 20 | 15 |

Ordering Codes

MB5Z Add suffix to depict required ratio range.
 For example: MB5Z-750/5

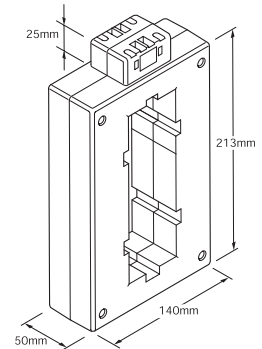
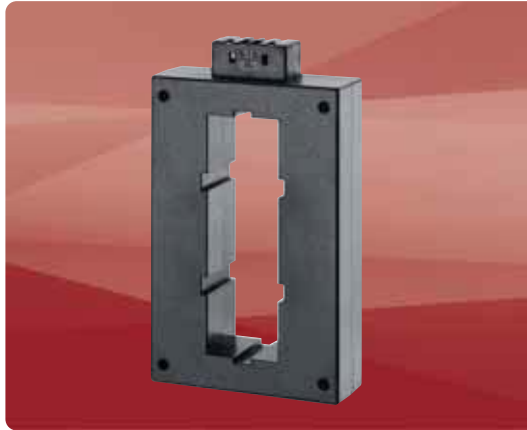
MC5T Range

Case Size: 140mm wide x 50mm deep x 238mm high
 5.5" wide x 2" deep x 9.3" high
 Aperture: 160 x 50mm
 6.3" x 2"
 Weight: +/-1.5Kg

| Model type | Ratio range | VA at Class 3 | VA at Class 1 | VA at Class 0.5 |
|------------|-------------|---------------|---------------|-----------------|
| MC5T | 1600/5 | 45 | 30 | 20 |
| MC5T | 2000/5 | 45 | 30 | 20 |
| MC5T | 2500/5 | 60 | 45 | 30 |
| MC5T | 3000/5 | 60 | 45 | 30 |
| MC5T | 3200/5 | 60 | 45 | 30 |
| MC5T | 4000/5 | 60 | 45 | 30 |
| MC5T | 5000/5 | 60 | 45 | 30 |
| MC5T | 6000/5 | 60 | 45 | 30 |

Ordering Codes

MC5T Add suffix to depict required ratio range.
 For example: MC5T-1600/5



- Hole for M6 diameter screws or busbar mounting

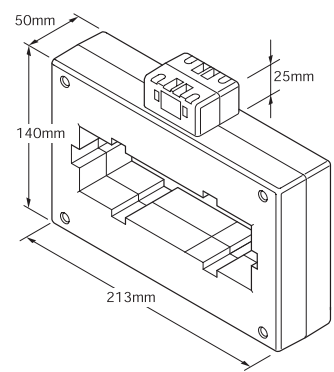
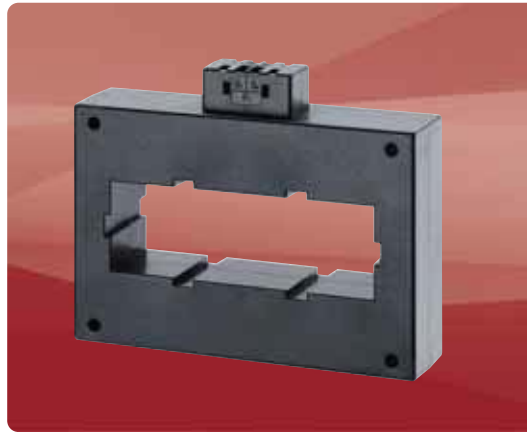
MD5T Range

Case Size: 213mm wide x 50mm deep x 165mm high
 8.3" wide x 2" deep x 6.5" high
 Aperture: 160 x 50mm
 6.3" x 2"
 Weight: +/-1.5Kg

| Model type | Ratio range | VA at Class 3 | VA at Class 1 | VA at Class 0.5 |
|------------|-------------|---------------|---------------|-----------------|
| MD5T | 1600/5 | 45 | 30 | 20 |
| MD5T | 2000/5 | 45 | 30 | 20 |
| MD5T | 2500/5 | 60 | 45 | 30 |
| MD5T | 3000/5 | 60 | 45 | 30 |
| MD5T | 4000/5 | 60 | 45 | 30 |
| MD5T | 5000/5 | 60 | 45 | 30 |
| MD5T | 6000/5 | 60 | 45 | 30 |

Ordering Codes

MD5T Add suffix to depict required ratio range.
 For example: MD5T-1600/5



- Hole for M6 diameter screws or busbar mounting

Moulded Case Overview Range

| Type | MA5Y | | M53Q | | M55E | | M53J | | M65F | | M63N | | MA5G | | M93L | |
|-----------------------------------|---------|---|------|---|------|---|-------|---|-------|---|-------|---|-------|---|-------|---|
| Inside diameter (mm) | | | 21 | | 16.2 | | 25 | | 23 | | 32 | | 36 | | 32 | |
| Busbar | M8 Stud | | 20x6 | | 15x5 | | 30x10 | | 20x10 | | 40x10 | | 40x10 | | 50x10 | |
| | | | | | | | 25x15 | | | | | | 30x30 | | 40x30 | |
| | | | | | | | 20x20 | | | | | | | | | |
| Dimensions (mm) | | | | | | | | | | | | | | | | |
| Height | 116 | | 65 | | 80 | | 80 | | 94 | | 94 | | 116 | | 131 | |
| Width | 77 | | 45 | | 50 | | 50 | | 60 | | 60 | | 77 | | 90 | |
| Depth | 50 | | 30 | | 50 | | 50 | | 50 | | 30 | | 50 | | 30 | |
| DIN-rail mounting | X | X | X | X | X | X | X | X | X | X | X | X | X | X | X | X |
| Foot mounting | X | X | X | X | X | X | X | X | X | X | X | X | X | X | X | X |
| Intergrated terminal cover | X | X | X | X | X | X | X | X | X | X | X | X | X | X | X | X |
| Secondary | 5 | 1 | 5 | 1 | 5 | 1 | 5 | 1 | 5 | 1 | 5 | 1 | 5 | 1 | 5 | 1 |
| Primary current | | | | | | | | | | | | | | | | |
| 1 | X | X | | | | | | | | | | | | | | |
| 5 | X | X | | | | | | | | | | | | | | |
| 10 | X | X | | | | | | | | | | | | | | |
| 15 | X | X | | | | | | | | | | | | | | |
| 20 | X | X | | | X | X | | | | | | | | | | |
| 30 | X | X | | | X | X | | X | X | | | | | | | |
| 40 | X | X | | | X | X | | X | X | | | | | | | |
| 50 | | | X | X | X | X | | X | X | | | | | | | |
| 60 | | | X | X | X | X | | X | X | | | | | | | |
| 75 | | | X | X | X | X | | X | X | | | | | | | |
| 80 | | | X | X | X | X | | X | X | | | | | | | |
| 100 | | | X | X | X | X | X | X | X | | | | X | X | | |
| 125 | | | X | X | | | X | X | X | | | | X | X | | |
| 150 | | | X | X | | | X | X | X | | | | X | X | | |
| 160 | | | | | | | X | | | | | | | | | |
| 200 | | | X | X | | | X | X | X | X | X | X | X | X | | |
| 250 | | | X | X | | | X | X | X | X | X | X | X | X | | |
| 300 | | | X | X | | | X | X | X | X | X | X | X | X | | |
| 400 | | | | | | | X | | | | X | X | X | X | X | |
| 500 | | | | | | | | | | | X | X | X | X | X | |
| 600 | | | | | | | | | | | X | X | X | X | X | |
| 750 | | | | | | | | | | | X | X | X | X | X | |
| 800 | | | | | | | | | | | X | X | X | X | X | |
| 1000 | | | | | | | | | | | | | X | X | X | |
| 1200 | | | | | | | | | | | | | | | X | |
| 1250 | | | | | | | | | | | | | | | | |
| 1500 | | | | | | | | | | | | | | | | X |
| 1600 | | | | | | | | | | | | | | | | X |
| 2000 | | | | | | | | | | | | | | | | |
| 2500 | | | | | | | | | | | | | | | | |
| 3000 | | | | | | | | | | | | | | | | |
| 3200 | | | | | | | | | | | | | | | | |
| 4000 | | | | | | | | | | | | | | | | |
| 5000 | | | | | | | | | | | | | | | | |
| 6000 | | | | | | | | | | | | | | | | |
| 5 + 5 = 5 | | | | | | | | | | | | | | | | |
| 5 + 5 + 5 = 5 | | | | | | | | | | | | | | | | |
| 5 + 5 + 5 + 5 = 5 | | | | | | | | | | | | | | | | |
| 5 + 5 + 5 + 5 + 5 = 5 | | | | | | | | | | | | | | | | |
| 5 + 5 + 5 + 5 + 5 + 5 = 5 | | | | | | | | | | | | | | | | |
| 1 + 1 = 1 | | | | | | | | | | | | | | | | |
| 1 + 1 + 1 = 1 | | | | | | | | | | | | | | | | |
| 1 + 1 + 1 + 1 = 1 | | | | | | | | | | | | | | | | |
| 1 + 1 + 1 + 1 + 1 = 1 | | | | | | | | | | | | | | | | |
| 1 + 1 + 1 + 1 + 1 + 1 = 1 | | | | | | | | | | | | | | | | |

| Type | M93S | | M93R | | MB5D | | MB5Z | | MC5T | | MD5T | | S95 | | S97 | |
|-----------------------------------|---------|---|---------|---|-------|---|--------|---|--------|---|--------|---|-----|---|-----|---|
| Inside diameter (mm) | | | | | 63 | | 35 | | | | | | | | | |
| Busbar | 60x30 | | 60x30 | | 80x30 | | 104x35 | | 50x160 | | 160x50 | | | | | |
| | 76.5x19 | | 64x12.6 | | 60x30 | | | | | | | | | | | |
| | | | | | 50x50 | | | | | | | | | | | |
| Dimensions (mm) | | | | | | | | | | | | | | | | |
| Height | 131 | | 131 | | 156 | | 156 | | 238 | | 165 | | 144 | | 144 | |
| Width | 90 | | 90 | | 134 | | 134 | | 140 | | 213 | | 90 | | 90 | |
| Depth | 30 | | 30 | | 50 | | 50 | | 50 | | 50 | | 50 | | 70 | |
| DIN-rail mounting | X | X | X | X | | | | | | | | | X | X | | |
| Foot mounting | X | X | X | X | X | X | X | X | | | | | X | X | X | X |
| Intergrated terminal cover | X | X | X | X | X | X | X | X | X | X | X | | | | | |
| Secondary | 5 | 1 | 5 | 1 | 5 | 1 | 5 | 1 | 5 | 1 | 5 | 1 | 5 | 1 | 5 | 1 |
| Primary current | | | | | | | | | | | | | | | | |
| 5 | | | | | | | | | | | | | | | | |
| 10 | | | | | | | | | | | | | | | | |
| 15 | | | | | | | | | | | | | | | | |
| 20 | | | | | | | | | | | | | | | | |
| 25 | | | | | | | | | | | | | | | | |
| 30 | | | | | | | | | | | | | | | | |
| 40 | | | | | | | | | | | | | | | | |
| 50 | | | | | | | | | | | | | | | | |
| 60 | | | | | | | | | | | | | | | | |
| 75 | | | | | | | | | | | | | | | | |
| 80 | | | | | | | | | | | | | | | | |
| 100 | | | | | | | | | | | | | | | | |
| 125 | | | | | | | | | | | | | | | | |
| 150 | | | | | | | | | | | | | | | | |
| 160 | | | | | | | | | | | | | | | | |
| 200 | | | | | | | | | | | | | | | | |
| 250 | | | | | | | | | | | | | | | | |
| 300 | | | | | | | | | | | | | | | | |
| 400 | | | | | X | X | | | | | | | | | | |
| 500 | | | | | X | X | | | | | | | | | | |
| 600 | | | | | X | X | | | | | | | | | | |
| 750 | | | | | X | X | X | X | | | | | | | | |
| 800 | X | X | X | X | X | X | X | X | | | | | | | | |
| 1000 | X | X | X | X | X | X | X | X | | | | | | | | |
| 1200 | X | X | X | X | X | X | X | X | | | | | | | | |
| 1250 | X | X | X | X | X | X | X | X | | | | | | | | |
| 1500 | X | X | X | X | X | X | X | X | | | | | | | | |
| 1600 | X | X | X | X | X | X | X | X | X | X | X | X | | | | |
| 2000 | X | X | X | X | X | X | X | X | X | X | X | X | | | | |
| 2500 | | | | | | | X | X | X | X | X | X | | | | |
| 3000 | | | | | | | X | X | X | X | X | X | | | | |
| 4000 | | | | | | | X | X | X | X | X | X | | | | |
| 5000 | | | | | | | | | X | | X | | | | | |
| 6000 | | | | | | | | | X | | X | | | | | |
| 5 + 5 = 5 | | | | | | | | | | | | | X | | | |
| 5 + 5 + 5 = 5 | | | | | | | | | | | | | X | | | |
| 5 + 5 + 5 + 5 = 5 | | | | | | | | | | | | | | | X | |
| 5 + 5 + 5 + 5 + 5 = 5 | | | | | | | | | | | | | | | X | |
| 5 + 5 + 5 + 5 + 5 + 5 = 5 | | | | | | | | | | | | | | | X | |
| 1 + 1 = 1 | | | | | | | | | | | | | | X | | |
| 1 + 1 + 1 = 1 | | | | | | | | | | | | | | X | | |
| 1 + 1 + 1 + 1 = 1 | | | | | | | | | | | | | | | | X |
| 1 + 1 + 1 + 1 + 1 = 1 | | | | | | | | | | | | | | | | X |
| 1 + 1 + 1 + 1 + 1 + 1 = 1 | | | | | | | | | | | | | | | | X |

Notes

Energy Division

With 4000 employees and more than 10,000 customers worldwide, the Energy Division represents a very significant part of Tyco Electronics. Based in headquarters in Ottobrunn, near Munich, Germany, the Energy Division is a global supplier to power utilities and power industry customers, to equipment manufacturers and transport systems. These customers are served by dedicated R&D teams, sales representatives in more than 80 countries, a professional marketing organization and 25 manufacturing sites in five continents.

While Tyco Electronics and its affiliates referenced herein have made every reasonable effort to ensure the accuracy of the information contained in this catalogue, Tyco Electronics cannot assure that this information is error free. For this reason, Tyco Electronics does not make any representation or offer any guarantee that such information is accurate, correct, reliable or current. Tyco Electronics reserves the right to make any adjustments to the information at any time. Tyco Electronics expressly disclaims any implied warranty regarding the information contained herein, including, but not limited to, the implied warranties of merchantability or fitness for a particular purpose. Tyco Electronics' only obligations are those stated in Tyco Electronics' Standard Terms and Conditions of Sale. Tyco Electronics will in no case be liable for any incidental, indirect or consequential damages arising from or in connection with, including, but not limited to, the sale, resale, use or misuse of its products. Users should rely on their own judgement to evaluate the suitability of a product for a certain purpose and test each product for its intended application. TE (logo) and Tyco Electronics are trademarks of the Tyco Electronics group of companies and its licensors. Crompton is a trademark of Crompton Parkinson and is used by Tyco Electronics under a licence. Other Trademarks mentioned herein are the property of their respective owners.

Energy Division – economical solutions for the electrical power industry: cable accessories, connectors & fittings, electrical equipment, instruments, lighting controls, insulators & insulation enhancement and surge arresters.

Tyco Electronics UK Ltd
Energy Division
Freebournes Road
Witham, Essex CM8 3AH

Phone: +44 (0)870 870 7500
Fax: +44 (0)870 240 5287
Email: electrical@tycoelectronics.com

www.crompton-instruments.com
<http://energy.tycoelectronics.com>

 **Tyco Electronics**

Our commitment. Your advantage.