



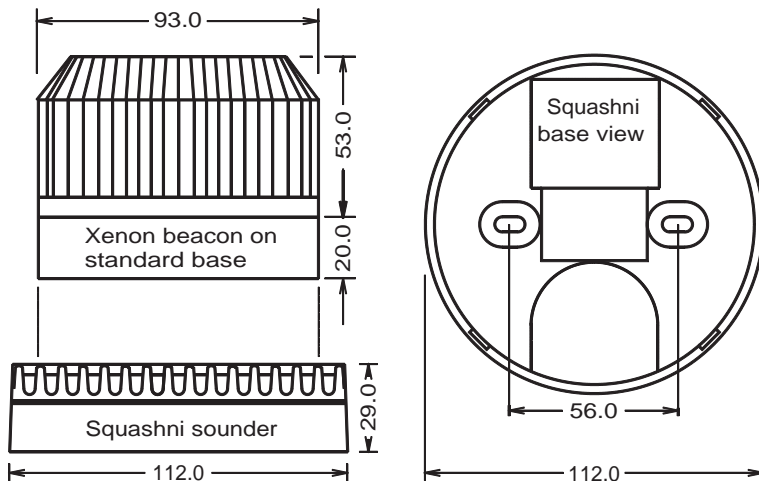
SQUASHNI PLATFORM SOUNDER

The Squashni presents the many qualities of the Roshni in the form of a base sounder. The flat deck area can also be used with beacons to provide a compact audio-visual alarm device with the added economy of a single installation point.



Specification

Tones	32 available
Sound output	93dB(A) at 1m tone 3 800Hz to 970 Hz sweep 102dB(A) at 1m tone 6 2400Hz to 2850 Hz sweep
Environment	IP54
Part No.	SQUASHNI - SQ-05-W-VC 9-28VDC white



- FIXING PLATFORM FOR DETECTORS OR BEACONS
- LOW CURRENT CONSUMPTION
- BLANK COVER FOR USE AS A STAND ALONE SOUNDER
- REDUCED INSTALLATION COSTS
- COLOUR MATCHED TO LEADING MANUFACTURERS



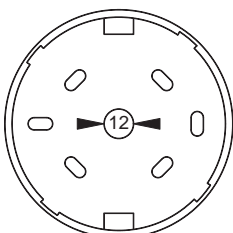
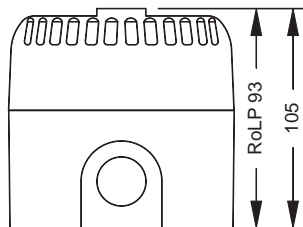
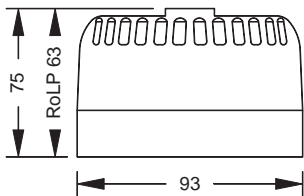
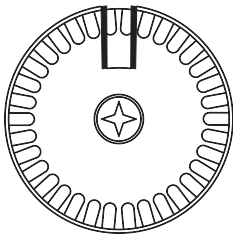
ROSHNI SOUNDER

The Roshni electronic sounder has a wide range of applications such as security, general signalling and process alarms. The wide operating voltage and range of tones available to the user make this flexible sounder supremely adaptable in even its most basic forms.

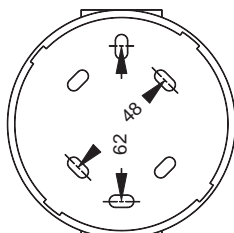


Specification

Tones	32 selected by DIP switch	
Sound output	101dB(A) at 1m tone 3 800Hz to 970 Hz sweep 110dB(A) at 1m tone 6 2400Hz to 2850 Hz sweep	
Environment	IP54 (with shallow base) IP65 (with deep base)	
Part No.	Roshni 1992	80 -230VAC red
	Roshni RORS	10 -30V AC/DC red
	Roshni ROLP	low profile 9-28VDC red



Shallow Base



Deep Base

- HIGH SOUND OUTPUT
- LOW CURRENT CONSUMPTION
- 32 TONES (USER SELECTABLE)
- AUTOMATIC SYNCHRONISATION
- VOLUME CONTROL
- SECOND TONE FOR TWO STAGE ALARMS
- LOCKABLE BASE