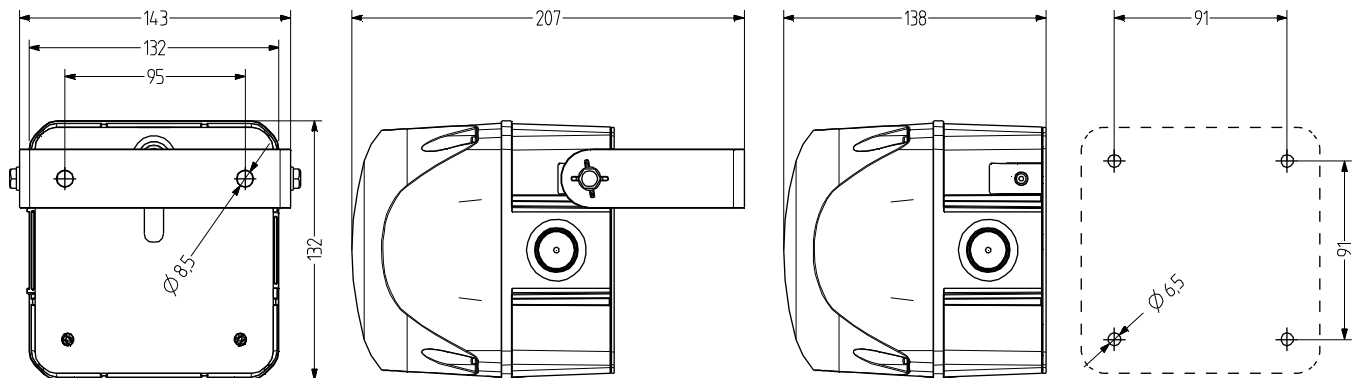


QDM LED steady/flashing beacon

- 132 mm cubic-design LED steady/flashing beacon
- Good frontal and lateral signalling effect
- 100 cd luminous intensity
- High degree of protection IP 66 & impact resistance IK09
- UV-stabilised material
- Modern LED technology – 4 high-power LEDs
- Steady and flashing light, can be switched externally
- For industrial and general applications
- Combinations of beacons and multi-tone alarm sounders possible



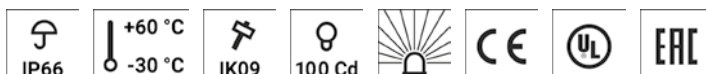
Internal diffuser and special lens pattern for optimal 360° signalling effect



TECHNICAL DATA

Housing	132 mm (square), Polycarbonate red (RAL 3000)
Lens	Polycarbonate, ribbed inside orange, red, clear, blue, green or yellow
Type of mounting	any
Cable entry	Back: Grommet 5–10 mm, optional side cable entry with cable gland (on both sides) (accessory type AKV)
Connection technology	Screw/plug-in terminal 2,5 mm ²
Leakage current	0,003 A (PLC-suitable)
Beacon type	LED steady beacon or LED flashing beacon

Light source	4 High Power LEDs
Luminous intensity	100 Cd
Strobe/flash frequency	1 Hz
Duty cycle	100 %
Service life	Light source: >50.000 h
Operating temperature	-30°C/+60°C
Degree of protection	IP66 & UL Type 4/4x/13
Impact resistance	IK09
Weight	500 g



QDM

ORDER DATA

Lens colour	Nominal voltage	Voltage range (V)	Nominal current (A)	Order number
orange	24-48 V AC/DC	18-53 V AC 18-60 V DC	0,500	874 261 408
	120-240 V AC	90-265	0,100	874 261 413
red	24-48 V AC/DC	18-53 V AC 18-60 V DC	0,500	874 262 408
	120-240 V AC	90-265	0,100	874 262 413
clear	24-48 V AC/DC	18-53 V AC 18-60 V DC	0,500	874 264 408
	120-240 V AC	90-265	0,100	874 264 413
blue	24-48 V AC/DC	18-53 V AC 18-60 V DC	0,500	874 265 408
	120-240 V AC	90-265	0,100	874 265 413
green	24-48 V AC/DC	18-53 V AC 18-60 V DC	0,500	874 266 408
	120-240 V AC	90-265	0,100	874 266 413
yellow	24-48 V AC/DC	18-53 V AC 18-60 V DC	0,500	874 267 408
	120-240 V AC	90-265	0,100	874 267 413



Steady & flashing



AMK



AB2



AG2



AKV

ACCESSORIES

Type	Type of accessory	Weight	Order number
AMK	Mounting set for combining several pieces of signalling equipment of the same size	10 g	874 010 900
AB2	Mounting set for metal bracket for mounting in any direction (e.g. on mounting platforms)		874 032 900
AG2	Flat seal for correct IP66 installation on smooth surfaces		874 022 900
AKV	Cable gland M20×1,5		698 800 026