



## OVOLUX PG9 MULTI SMD LED TECHNOLOGY

**SMD** stands for **Surface Mounting Device** representing the latest electronic technology: the **miniaturization** of the electronic components including the LED is the real cutting-edge aspect.

SIRENA has upgraded the existing range of OVOLUX beacons, with the state-of-the-art new SMD LED technology.

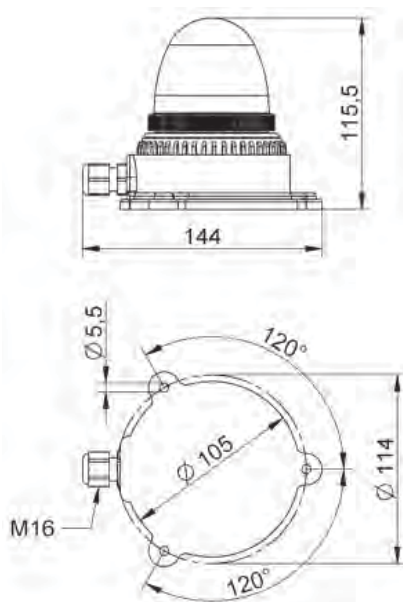
In addition to the main advantages of the

### LED Light Technology:

- Low power consumption
- No maintenance
- High vibration resistance
- 100.000 hours lifetime
- Multi-functionality
- Excellent optical definition
- Improved light output
- New blinking combinations



**OVOLUX PG9 MULTI SMD**



kg 0.21

Luminous functions: 4 different light functions (steady, single flash, double flash or triple flash) selectable via DIP-SWITCH

- Voltages: 12/24V ac/dc - 90/240V ac
- IP 65
- Excellent optical performance
- Stock reduction due to multi-functionality
- Base and cable gland

### PART NUMBERS

OVOPG9-12-24/AM  
 OVOPG9-12-24/RD  
 OVOPG9-12-24/GR  
 OVOPG9-240/AM  
 OVOPG9-240/RD  
 OVOPG9-240/GR



## OVOLUX MULTI SMD LED TECHNOLOGY

**SMD** stands for **Surface Mounting Device** representing the latest electronic technology: the **miniaturization** of the electronic components including the LED is the real cutting-edge aspect.

SIRENA has upgraded the existing range of OVOLUX beacons, with the state-of-the-art new SMD LED technology.

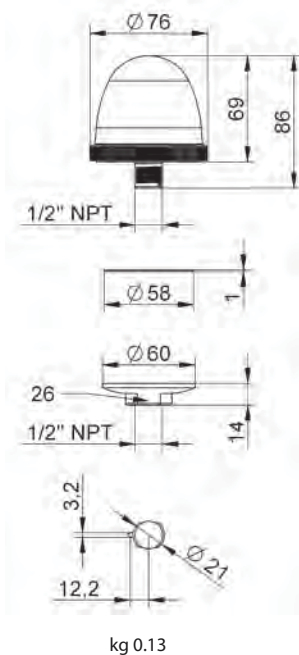
In addition to the main advantages of the

### LED Light Technology:

- Low power consumption
- No maintenance
- High vibration resistance
- 100.000 hours lifetime
- Multi-functionality
- Excellent optical definition
- Improved light output
- New blinking combinations



**OVOLUX MULTI SMD**



Luminous functions: 4 different light functions (steady, single flash, double flash or triple flash) selectable via DIP-SWITCH

- Voltages: 12/24V ac/dc - 90/240V ac
- IP 65
- Excellent optical performance
- Stock reduction due to multi-functionality
- Pre-wired 250mm cable

### PART NUMBERS

OVOSMD-240/GR  
 OVOSMD-240/BL  
 OVOSMD-240/RD  
 OVOSMD-240/AM  
 OVOSMD-240/CL  
 OVOSMD-12-24/AM  
 OVOSMD-12-24/BL  
 OVOSMD-12-24/CL