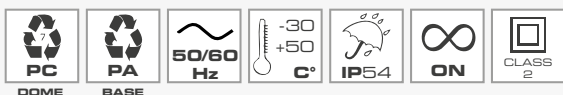




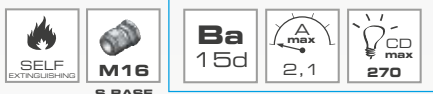
MINIFLASH S



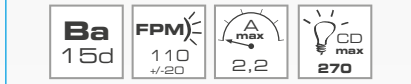
> 3 BASES <
> 3 LUMINOUS SOURCES <
> EXCELLENT OPTICAL PERFORMANCE <



MINIFLASH STEADY



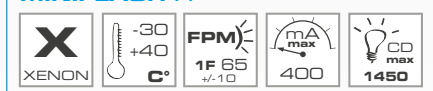
MINIFLASH STEADY/FLASHING



MINIFLASH LED



MINIFLASH X



ALSO AVAILABLE



MINIFLASH P



MINIFLASH E

MINIFLASH

Medium size beacon engineered for industrial applications.

MINIFLASH offers versatility as well as excellent optical performance.

With three versions available (standard S, pole mount P, Edison screw base E) and 3 luminous sources, MINIFLASH offers a complete range of products.

KEY CHARACTERISTICS

LIGHT EFFECTS

MINIFLASH STEADY: STEADY LIGHT

MINIFLASH STEADY/FLASHING: STEADY/FLASHING LIGHT (S and P bases), FLASHING LIGHT (E base)

MINIFLASH LED: STEADY/FLASHING LIGHT (S and P bases), FLASHING LIGHT (E base)

MINIFLASH X: XENON FLASHING LIGHT

VOLTAGES

MINIFLASH STEADY: 12/240V ACDC +/-10%

MINIFLASH STEADY/FLASHING: 12/48V DC, 24/240V AC +/-10%

MINIFLASH LED: 24V ACDC, 48V ACDC, 110V AC and 240V AC +/-10%

MINIFLASH X: 12/24V ACDC, 110V AC and 240V AC +/-10%

PROTECTION GRADE

IP54

OPERATING TEMPERATURE

-30/+50 °C | X: -30/+40 °C

MECHANICAL FEATURES

Self-extinguishing high impact resistance PC dome

Self-extinguishing glass reinforced polyamide base (S base versions with M16 cable gland)

Screw mounting, screws not included (S base versions)

OPTICAL FEATURES

MINIFLASH STEADY: the 25W incandescent lamp (Ba15d socket) and the dome-shaped Fresnel lens intensify the steady beam of light

MINIFLASH STEADY/FLASHING: the 25W incandescent lamp (Ba15d socket) and the dome-shaped Fresnel lens intensify the steady/flashing beam of light

MINIFLASH LED: 36 x 5mm colored LEDs and the dome-shaped Fresnel lens provide a perfect color intensity output

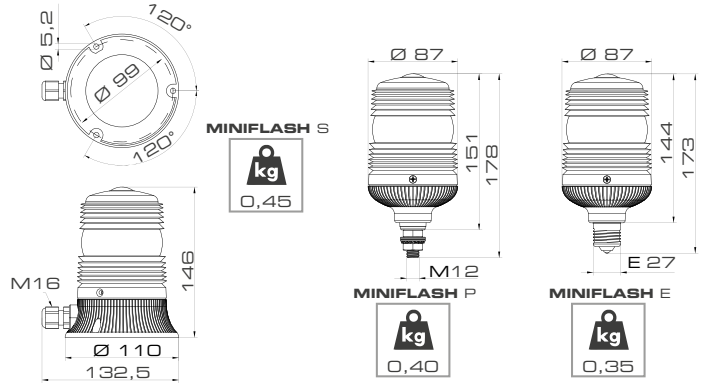
MINIFLASH X: 2J Xenon discharge tube enhanced by the dome-shaped Fresnel lens provides a strong single flash (1F)

CERTIFICATIONS





WALL BASE



MINIFLASH STEADY* - Steady light with incandescent bulb

BASES	■		■		■		■		■		■	
	GY	BK	GY	BK	GY	BK	GY	BK	GY	BK	GY	BK
S 12/240V ACDC	89111	89121	89112	89122	89113	89123	89114	89124	89115	89125	89116	89126
P 12/240V ACDC	89131	89141	89132	89142	89133	89143	89134	89144	89135	89145	89136	89146
E 12/240V ACDC	89151	89161	89152	89162	89153	89163	89154	89164	89155	89165	89156	89166

*Supplied without bulb

MINIFLASH STEADY/FLASHING* - Steady/flashing light with incandescent bulb

BASES	■		■		■		■		■		■	
	GY	BK	GY	BK	GY	BK	GY	BK	GY	BK	GY	BK
S 12/48V DC	89171	89191	89172	89192	89173	89193	89174	89194	89175	89195	89176	89196
24/240V AC	89181	89201	89182	89202	89183	89203	89184	89204	89185	89205	89186	89206
P 12/48V DC	89211	89231	89212	89232	89213	89233	89214	89234	89215	89235	89216	89236
24/240V AC	89221	89241	89222	89242	89223	89243	89224	89244	89225	89245	89226	89246
E 12/48V DC	89611	89691	89612	89692	89613	89693	89614	89694	89615	89695	89616	89696
24/240V AC	89251	89261	89252	89262	89253	89263	89254	89264	89255	89265	89256	89266

*Supplied without bulb

MINIFLASH LED - LED steady/flashing light

BASES	■		■		■		■		■		■	
	GY	BK	GY	BK	GY	BK	GY	BK	GY	BK	GY	BK
S 24V ACDC	65211	68641	65212	68642	65213	68643	65214	68644	65215	68645	65216	68646
48V ACDC	65221	68651	65222	68652	65223	68653	65224	68654	65225	68655	65226	68656
110V AC	65231	68661	65232	68662	65233	68663	65234	68664	65235	68665	65236	68666
240V AC	65241	68671	65242	68672	65243	68673	65244	68674	65245	68675	65246	68676
P 24V ACDC	65251	68681	65252	68682	65253	68683	65254	68684	65255	68685	65256	68686
48V ACDC	65261	68691	65262	68692	65263	68693	65264	68694	65265	68695	65266	68696
110V DC	65271	68701	65272	68702	65273	68703	65274	68704	65275	68705	65276	68706
240V AC	65281	68711	65282	68712	65283	68713	65284	68714	65285	68715	65286	68716
E 24V ACDC	65291	68721	65292	68722	65293	68723	65294	68724	65295	68725	65296	68726
48V ACDC	65301	68731	65302	68732	65303	68733	65304	68734	65305	68735	65306	68736
110V DC	65311	68741	65312	68742	65313	68743	65314	68744	65315	68745	65316	68746
240V AC	65321	68751	65322	68752	65323	68753	65324	68754	65325	68755	65326	68756

MINIFLASH X* - Flashing light with Xenon discharge tube

BASES	■		■		■		■		■		■	
	GY	BK	GY	BK	GY	BK	GY	BK	GY	BK	GY	BK
S 12/24V ACDC	63753	21500	63754	21501	63755	21502	63756	21503	63757	21504	63758	21505
110V AC	63759	80522	63760	80520	63761	80521	63762	80524	63763	80546	63764	80523
240V AC	63765	80511	63766	80510	63767	80513	63768	80514	63769	80548	63770	80512
P 12/24V ACDC	63788	21530	63789	21531	63790	21532	63791	21533	63792	21534	63793	21535
110V AC	63793	80569	63794	80571	63795	80570	63796	80577	63797	80575	63798	80572
240V AC	63799	80561	63800	80560	63801	80563	63802	80564	63803	80576	63804	80562
E 12/24V ACDC	63817	80600	63818	80596	63819	80597	89617	80609	63820	80598	89618	80602
110V AC	63821	80623	63822	80621	63823	80620	63824	80622	63825	80526	63826	80527
240V AC	63827	80611	63828	80610	63829	80613	63830	80624	63831	80626	63832	80612

*Supplied with bulb

SPARE DOMES

■ 71318	■ 71315	■ 71316	■ 71319	■ 71333	■ 71317
---------	---------	---------	---------	---------	---------

ACCESSORIES

	GY	BK
WALL BASE	72692	71872