



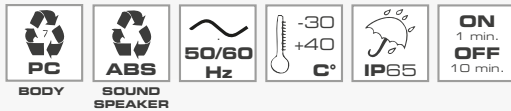
MICROSAI C



MICROSAI I



> CONTINUOUS SOUND (C) <
> INTERMITTENT SOUND (I) <
> 95 dB max <



MICROSAI C | PART NO

	GY	BK
12V AC	53002	53260
24V AC	53003	53261
48V AC	53005	53262
110V AC	53008	53263
240V AC	53015	53300

MICROSAI I | PART NO

	GY	BK
12V AC	53530	53265
24V AC	53531	53266
48V AC	53532	53267
110V AC	53533	53268
240V AC	53535	53301

MICROSAI

Horn engineered for industrial applications.

Developed with acoustic electromagnetic capsule with vibrating membrane, the device generates a characteristic continuous sound (MICROSAI C) or intermittent sound (MICROSAI I).

Ideal choice for industrial applications, short call or danger signals.

KEY CHARACTERISTICS

NUMBER OF TONES

MICROSAI C: 1 (Continuous Sound)

MICROSAI I: 1 (Intermittent Sound)

VOLTAGES

12V AC, 24V AC, 48V AC, 110V AC, 240V AC +/-10%

PROTECTION GRADE

IP65

OPERATING TEMPERATURE

-30/+40 °C

MECHANICAL FEATURES

PC body and ABS sound speaker
Provided with flat base. Screw mounting (screws not included)

ACOUSTIC FEATURES

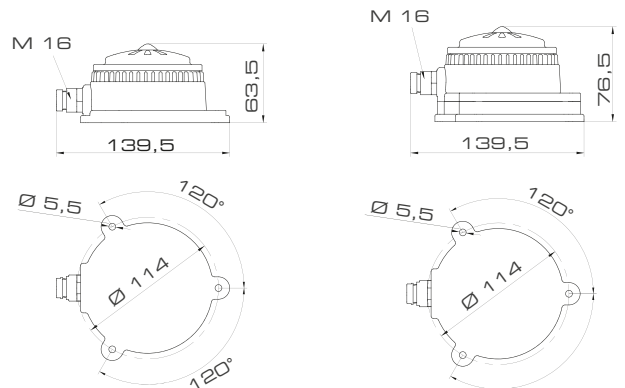
Electromagnetic unit with vibrating membrane

MICROSAI C: Continuous sound

MICROSAI I: Intermittent sound

Frequency: 300/350Hz

DRAWINGS, DIMENSIONS AND WEIGHTS



MICROSAI C



MICROSAI I



CERTIFICATIONS

