

# M-LINE | BASES

Modular Bases / LT and HT






IP 65

Sirena has developed **THREE** unique multi-tension modular bases with two ranges of voltage: **HIGH TENSION** and **LOW TENSION** offering a total of **FIVE** different options: a perfect fit for each application.

# Modular Bases

## LT / HT BASES

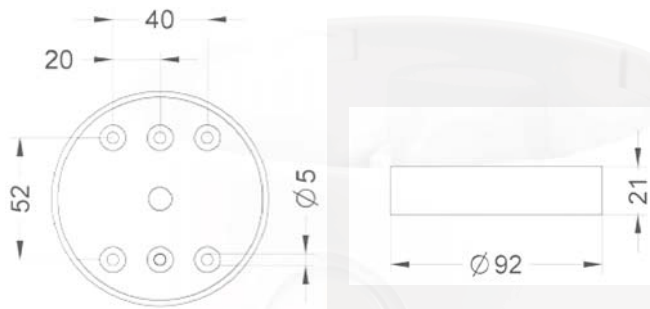
-  **The SHALLOW base**, [available in 12/24V DCAC] is the ideal choice for all flat mounting applications where cabling occurs from the bottom of the signaling device and where a more compact design is required.
  -  **The DEEP base**, [available in 12/24V DCAC and 90/240V AC], offers the possibility to install two cable glands (supplied) M20x1,5 on the sides of the base. This is the ideal choice when cabling from the bottom of the device is not possible or when an “in-series” installation is required.
  -  **The WALL base**, [available in 12/24V DCAC and 90/240V AC], is suitable for inserting two cable glands M20x1,5 in the lower part of the structure and is the ideal choice for “on-wall” installations.
- **Polycarbonate base in MAKROLON (RAL 7001)**
  - **Base Gasket: POLYURETHANE (FKM 3075)**
  - **IP 65:** also excellent for outdoor applications
  - **Interface:** removable four-way terminal block, cable dimensions 2,5 mm max.



	LT SHALLOW 12/24V DCAC	LT DEEP 12/24V DCAC	LT WALL 12/24V DCAC	HT DEEP 90/240V AC	HT WALL 90/240V AC
<b>CODES</b>	<b>90367</b>	<b>90368</b>	<b>90370</b>	<b>90369</b>	<b>90371</b>

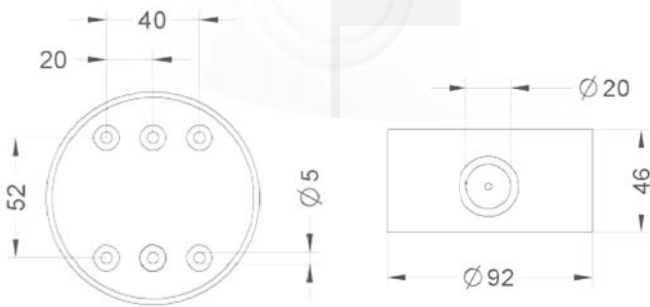
# Modular Bases

## BASES LT / HT



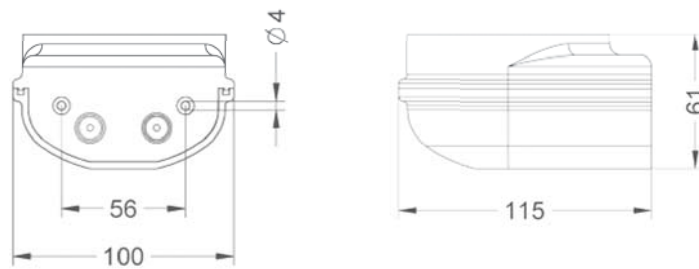
LT SHALLOW 12/24V DCAC  
Kg 0,04

Box Size 93x24x92 mm  
Box weight: Kg 0,15



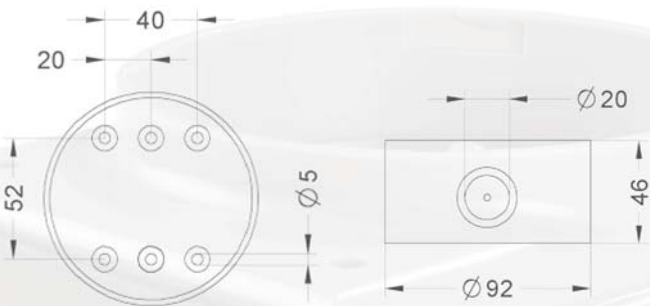
LT DEEP PG 12/24V DCAC  
Kg 0,08

Box Size 92x92x65 mm  
Box weight: Kg 0,25



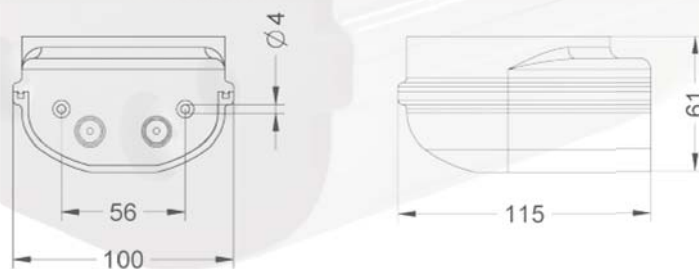
LT WALL 12/24V DCAC  
Kg 0,15

Box Size 101x63x118 mm  
Box weight: Kg 0,30




HT DEEP PG 90/240V AC  
Kg 0,11

Box Size 92x92x65 mm  
Box weight: Kg 0,25



HT WALL 90/240V DCAC  
Kg 0,19

Box Size 101x63x118 mm  
Box weight: Kg 0,30

 Cable Gland M20x1,5: minimum dimensions of the cable 6 mm  
maximum dimensions of the cable 13 mm