

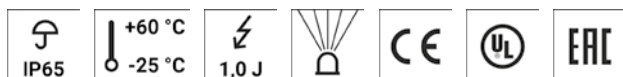
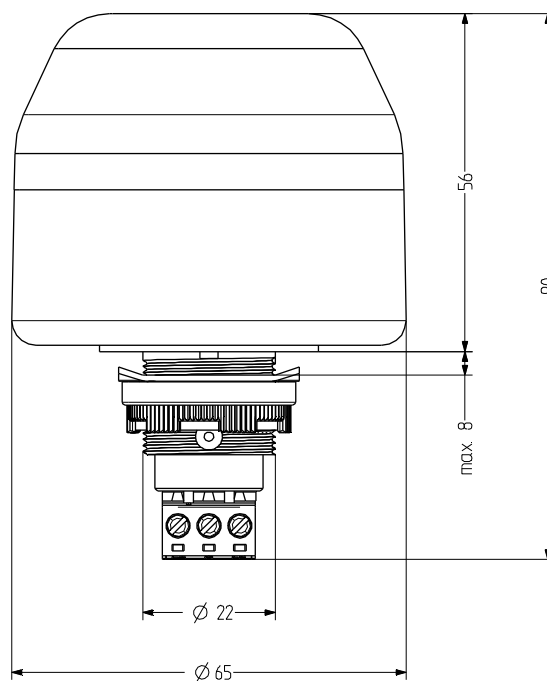
## ISL M22 panel mount Xenon strobe beacon

- Ø 65 mm xenon strobe beacon
- Good signalling effect
- High degree of protection IP 65
- User-friendly connection technology
- Prewired model versions with IP 67 on request
- 1 J strobe energy
- For industrial and general applications
- Panel size Ø 22.5 mm/M22
- Adapter available for M30.5 mm panel size



### TECHNICAL DATA

Housing	Ø 65 mm, Polycarbonate black (RAL 9005) or grey (RAL 7035)
Lens	Polycarbonate, ribbed inside orange, red, clear, blue, green or yellow
Type of mounting	any
Panel size	22x1,25 mm (M22) and 30.5 mm (with adapter), mounting depth 34 mm
Cable entry	pre-wired at customer's request
Connection technology	Screw/plug-in terminal 2,5 mm <sup>2</sup>
Leakage current	0,003 A (PLC-suitable)
Beacon type	Xenon strobe beacon
Light source	Xenon tube
Luminous intensity	1 J Strobe energy
Strobe/flash frequency	1,4 Hz
Duty cycle	100 %
Service life	Light source: 10 million flashes
Operating temperature	-25°C/+60°C
Degree of protection	IP65 & UL Type 4/4x/13



## ISL

## ORDER DATA

Lens colour	Nominal voltage	Voltage range (V)	Nominal current (A)	Housing colour	
				black	grey
orange	12-24 V AC/DC	+/- 10 %	0,150	802 511 405	802 111 405
	110-120 V AC	+/- 10 %	0,030	802 511 310	802 111 310
	230-240 V AC	+/- 10 %	0,020	802 511 313	802 111 313
red	12-24 V AC/DC	+/- 10 %	0,150	802 512 405	802 112 405
	110-120 V AC	+/- 10 %	0,030	802 512 310	802 112 310
	230-240 V AC	+/- 10 %	0,020	802 512 313	802 112 313
clear	12-24 V AC/DC	+/- 10 %	0,150	802 514 405	802 114 405
	110-120 V AC	+/- 10 %	0,030	802 514 310	802 114 310
	230-240 V AC	+/- 10 %	0,020	802 514 313	802 114 313
blue	12-24 V AC/DC	+/- 10 %	0,150	802 515 405	802 115 405
	110-120 V AC	+/- 10 %	0,030	802 515 310	802 115 310
	230-240 V AC	+/- 10 %	0,020	802 515 313	802 115 313
green	12-24 V AC/DC	+/- 10 %	0,150	802 516 405	802 116 405
	110-120 V AC	+/- 10 %	0,030	802 516 310	802 116 310
	230-240 V AC	+/- 10 %	0,020	802 516 313	802 116 313
yellow	12-24 V AC/DC	+/- 10 %	0,150	802 517 405	802 117 405
	110-120 V AC	+/- 10 %	0,030	802 517 310	802 117 310
	230-240 V AC	+/- 10 %	0,020	802 517 313	802 117 313



ADM30

## ACCESSORIES

Type	Type of accessory	Weight	Order number
ADM30	Adapter for M30.5 for 30.5 mm holes	8 g	812 500 900